

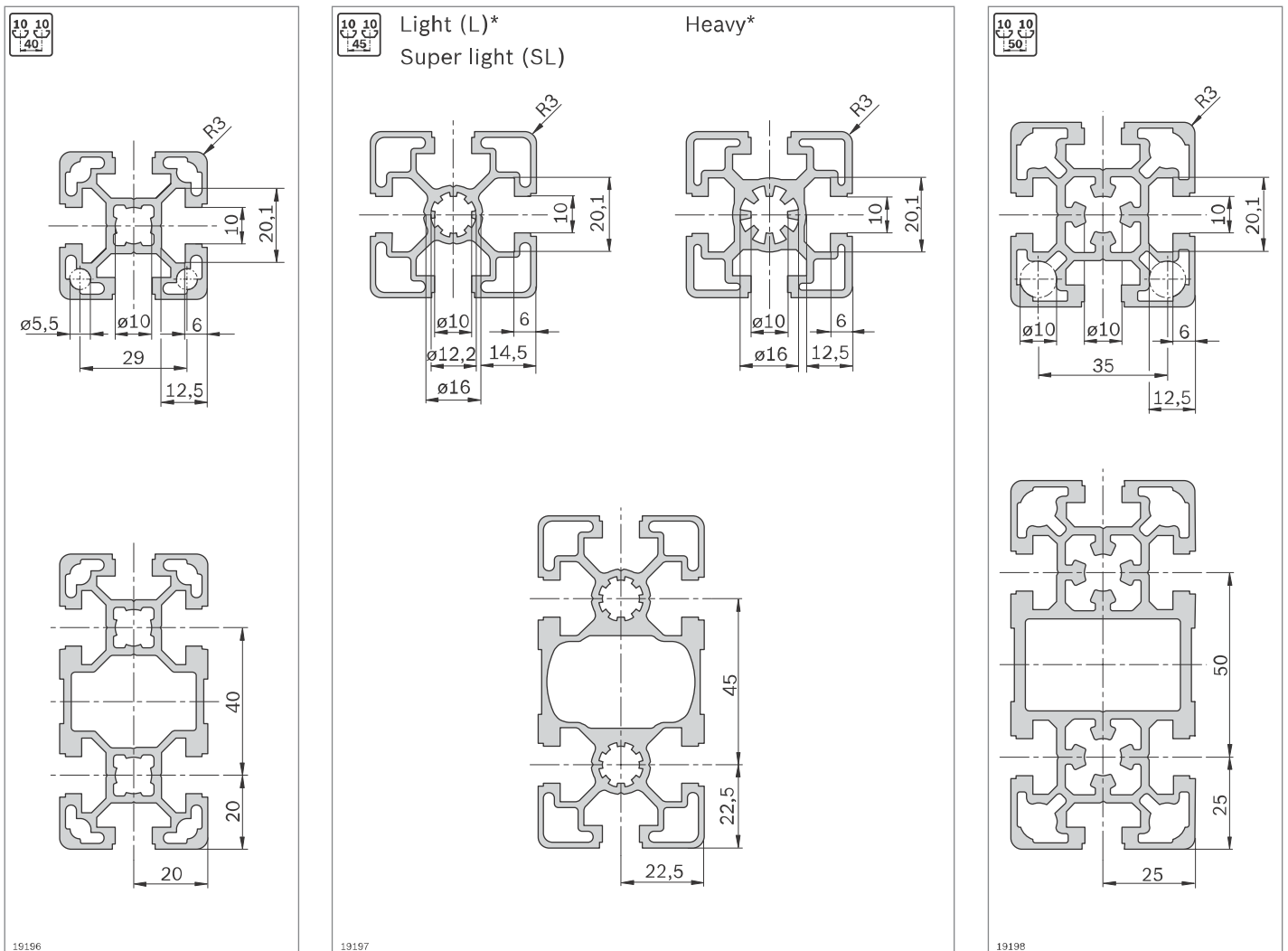
Strut profiles with 10 mm slot

The Rexroth modular profile system, with 10 mm slots in the modular dimensions 40 mm, 45 mm, 50 mm, and 60 mm, covers all conventional profile dimensions on the world market.

Thanks to their computer-optimized design, the strut

profiles L with 10 mm slot (modular dimensions 40 mm, 45 mm, and 50 mm, e.g. 50x50L) combine high strengths with minimum use of materials. This gives you a cost-effective and stable solution for the construction of tables, protection devices or frames, for instance.

Slot, modular dimensions, central bore



*) The following L-profiles have a "heavy" slot geometry:
45x90x90L; 45x90x90L 4N; 90x90L; 90x90L 4N; 90x90L 4NVS; 90x180L

Minimum profile lengths (mm) for Quick & Easy standard profile finishing on one or both sides

	-	M12	M16	D9.8	D17/DB17	F1
-	50	60	120	50	60	60
M12	60	110	180	90	90	110
M16	120	180	240	150	170	170
D9.8	50	90	150	80	70	90
D17/DB17	60	90	170	70	80	90
F1	60	110	170	90	90	80

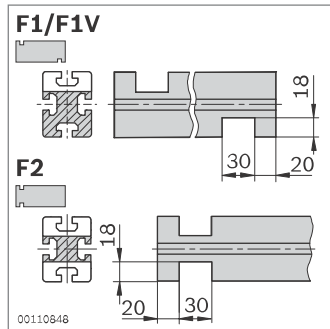
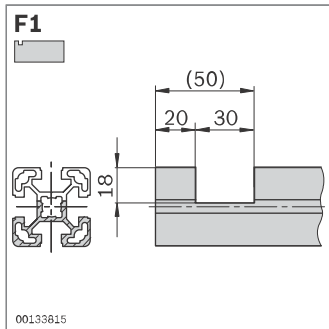
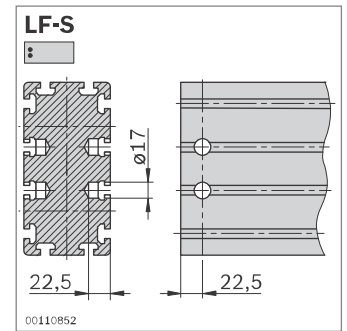
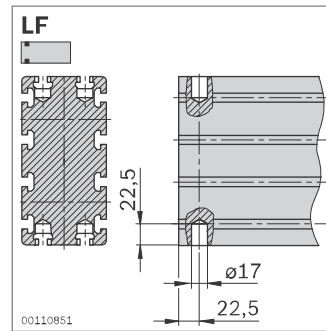
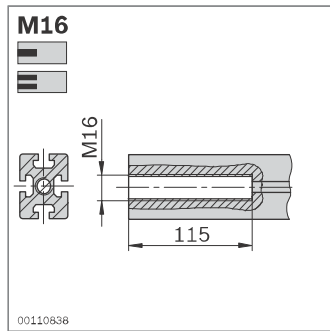
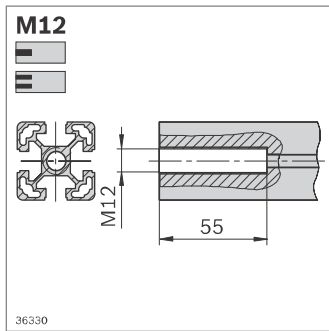
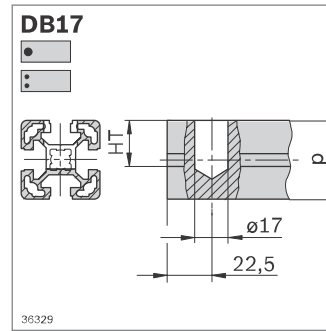
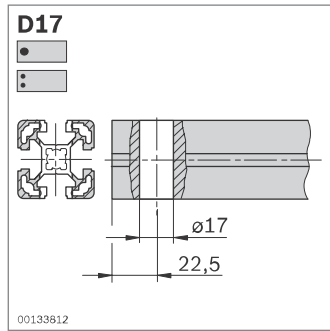
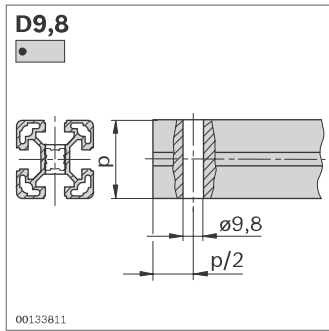
Reduced maximum profile lengths $L_{max i}$ at customized profile finishing

L_{max} (mm)	$L_{max i}$ (mm)
6070	5400
3000	2300
2000	1300

For applications with high loads, we recommend especially stable profiles with 10 mm slots, e.g. for heavy work tables, fixtures, machine frames, transport shuttles, protective enclosures, and handling systems.

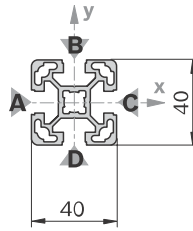
Due to its very sturdy design, this slot allows maximum strength connections.

Profile finishing



40x40L

A = 5,6 cm²
 I_x = 9,1 cm⁴
 I_y = 9,1 cm⁴
 W_x = 4,5 cm³
 W_y = 4,5 cm³
 m = 1,5 kg/m



19199

Cover cap	Color	ESD	No.
40x40 (1x)	Signal gray	100	3 842 548 746
40x40 (1x)	Black	20	3 842 548 747

Material: PP

Cover cap with hole	Color	ESD	No.
40x40 (1x)	Signal gray	20	3 842 548 782
40x40 (1x)	Black	20	3 842 548 783

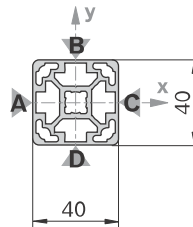
Material: PP

Cover cap ZN	ESD No.	FS
40x40-ZN	3 842 541 807	FS2

Material: Cover cap: Diecast zinc
 Fastening material: Steel; galvanized

40x40L ON

A = 6,3 cm²
 I_x = 10,4 cm⁴
 I_y = 10,4 cm⁴
 W_x = 5,2 cm³
 W_y = 5,2 cm³
 m = 1,7 kg/m

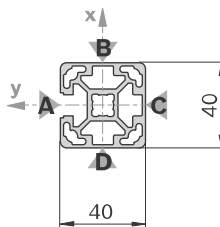


19200

Cover cap: see 40x40

40x40L 1N

A = 6,1 cm²
 I_x = 9,8 cm⁴
 I_y = 10,3 cm⁴
 W_x = 4,7 cm³
 W_y = 5,1 cm³
 m = 1,7 kg/m



19201

Cover cap: see 40x40

40x40L	L (mm)	No.
1 pc	50 ... 6070	3 842 993 120 / L
1 pc M12	60 ... 6000	3 842 993 121 / L
1 pc M12 M12	110 ... 6000	3 842 993 122 / L
1 pc M12 D17	90 ... 6000	3 842 993 123 / L
1 pc D17	60 ... 6000	3 842 993 124 / L
1 pc D17 D17	80 ... 6000	3 842 993 125 / L
1 pc D17 D17V	80 ... 6000	3 842 993 126 / L
1 pc D9,8 D9,8	80 ... 6000	3 842 993 129 / L
20 pcs	6070	3 842 529 339

Quick & Easy (p. 2-7, see fold-out section)

40x40L	3 842 993 724 / ...
Length L (mm)	50 ... 6070
Standard profile finishing L _{max} = 6000 mm (note minimum length, p. 2-24)	M12 / D9.8 / D17 / DB17 / F1 (A) ¹⁾
Customized profile finishing (L _{max i} = 5400 mm)	DI / DIS / MT / MTS / MI / MIS / DG ²⁾

¹⁾ For the specified slots

²⁾ DG_{max} = 45°; L_{min1} / L_{min2} = 370 / 440 mm



40x40L ON	L (mm)	No.
20 pcs	6070	3 842 540 954

Quick & Easy (p. 2-7, see fold-out section)

40x40L ON	3 842 993 760 / ...
Length L (mm)	50 ... 6070
Standard profile finishing L _{max} = 6000 mm (note minimum length, p. 2-24)	M12 / D9.8 / D17 / DB17
Customized profile finishing (L _{max i} = 5400 mm)	DI / DIS / MT / MTS / MI / MIS / DG ¹⁾

¹⁾ DG_{max} = 45°; L_{min1} / L_{min2} = 370 / 440 mm

40x40L 1N	L (mm)	No.
1 pc	50 ... 6070	3 842 993 185 / L
1 pc M12 M12	110 ... 6000	3 842 993 186 / L
20 pcs	6070	3 842 529 361

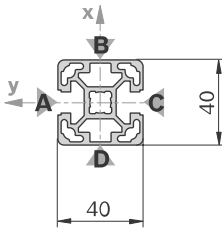
Quick & Easy (p. 2-7, see fold-out section)

40x40L 1N	3 842 993 719 / ...
Length L (mm)	50 ... 6070
Standard profile finishing L _{max} = 6000 mm (note minimum length, p. 2-24)	M12 / D9.8 / D17 / DB17
Customized profile finishing (L _{max i} = 5400 mm)	DI / DIS / MT / MTS / MI / MIS / DG ¹⁾

¹⁾ DG_{max} = 45°; L_{min1} / L_{min2} = 370 / 440 mm

40x40L 2N

A = 6,0 cm²
 $I_x = 9,0 \text{ cm}^4$
 $I_y = 10,3 \text{ cm}^4$
 $W_x = 4,5 \text{ cm}^3$
 $W_y = 5,2 \text{ cm}^3$
 m = 1,6 kg/m



19202

Cover cap: see 40x40

40x40L 2N		L (mm)	No.
1 pc		50 ... 6070	3 842 993 187 / L
1 pc	M12 M12	110 ... 6000	3 842 993 188 / L
20 pcs		6070	3 842 529 363

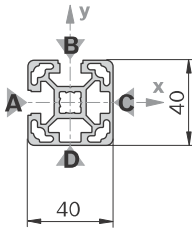
Quick & Easy (p. 2-7, see fold-out section)

40x40L 2N		3 842 993 720 / ...
Length L (mm)	50 ... 6070	
Standard profile finishing $L_{max} = 6000 \text{ mm}$ (note minimum length, p. 2-24)	M12 / D9.8 / D17 / DB17	
Customized profile finishing ($L_{max i} = 5400 \text{ mm}$)	DI / DIS / MT / MTS / MI / MIS / DG ¹⁾	

¹⁾ $DG_{max} = 45^\circ$; $L_{min1} / L_{min2} = 370 / 440 \text{ mm}$

40x40L 2NVS

A = 6,0 cm²
 $I_x = 9,7 \text{ cm}^4$
 $I_y = 9,7 \text{ cm}^4$
 $W_x = 4,9 \text{ cm}^3$
 $W_y = 4,9 \text{ cm}^3$
 m = 1,6 kg/m



19203

Cover cap: see 40x40

40x40L 2NVS		L (mm)	No.
1 pc		50 ... 6070	3 842 993 189 / L
1 pc	M12 M12	110 ... 6000	3 842 993 190 / L
20 pcs		6070	3 842 529 365

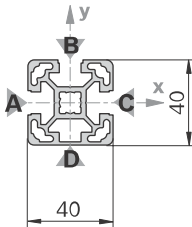
Quick & Easy (p. 2-7, see fold-out section)

40x40L 2NVS		3 842 993 721 / ...
Length L (mm)	50 ... 6070	
Standard profile finishing $L_{max} = 6000 \text{ mm}$ (note minimum length, p. 2-24)	M12 / D9.8 / D17 / DB17	
Customized profile finishing ($L_{max i} = 5400 \text{ mm}$)	DI / DIS / MT / MTS / MI / MIS / DG ¹⁾	

¹⁾ $DG_{max} = 45^\circ$; $L_{min1} / L_{min2} = 370 / 440 \text{ mm}$

40x40L 3N

A = 5,8 cm²
 $I_x = 9,7 \text{ cm}^4$
 $I_y = 9,0 \text{ cm}^4$
 $W_x = 4,8 \text{ cm}^3$
 $W_y = 4,5 \text{ cm}^3$
 m = 1,6 kg/m



19204

Cover cap: see 40x40

40x40L 3N		L (mm)	No.
1 pc		50 ... 6070	3 842 993 191 / L
1 pc	M12 M12	110 ... 6000	3 842 993 192 / L
20 pcs		6070	3 842 529 367

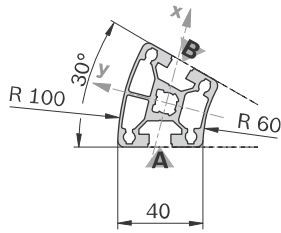
Quick & Easy (p. 2-7, see fold-out section)

40x40L 3N		3 842 993 722 / ...
Length L (mm)	50 ... 6070	
Standard profile finishing $L_{max} = 6000 \text{ mm}$ (note minimum length, p. 2-24)	M12 / D9.8 / D17 / DB17	
Customized profile finishing ($L_{max i} = 5400 \text{ mm}$)	DI / DIS / MT / MTS / MI / MIS / DG ¹⁾	

¹⁾ $DG_{max} = 45^\circ$; $L_{min1} / L_{min2} = 370 / 440 \text{ mm}$

40x30°

A = 6,2 cm²
 I_x = 9,4 cm⁴
 I_y = 11,8 cm⁴
 W_x = 4,7 cm³
 W_y = 5,9 cm³
 m = 1,7 kg/m



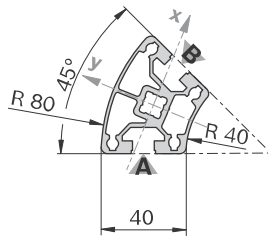
19205

Cover cap	Color	ESD	No.
40x30° (1x)	Signal gray	20	3 842 551 014
40x30° (1x)	Black	20	3 842 551 015

Material: PP

40x45°

A = 6,8 cm²
 I_x = 9,9 cm⁴
 I_y = 16,6 cm⁴
 W_x = 5,0 cm³
 W_y = 8,3 cm³
 m = 1,8 kg/m



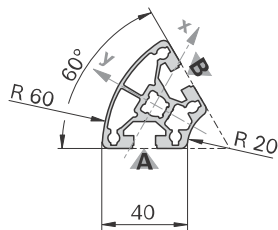
19206

Cover cap	Color	ESD	No.
40x45° (1x)	Signal gray	20	3 842 551 016
40x45° (1x)	Black	20	3 842 551 017

Material: PP

40x60°

A = 6,3 cm²
 I_x = 8,7 cm⁴
 I_y = 13,1 cm⁴
 W_x = 4,3 cm³
 W_y = 6,5 cm³
 m = 1,7 kg/m



19207

Cover cap	Color	ESD	No.
40x60° (1x)	Signal gray	20	3 842 551 018
40x60° (1x)	Black	20	3 842 551 019

Material: PP

40x30°	L (mm)	No.
1 pc	50 ... 6070	3 842 993 195 / L
12 pcs	6070	3 842 529 371

Quick & Easy (p. 2-7, see fold-out section)

40x30°	3 842 993 718 / ...
Length L (mm)	50 ... 6070
Standard profile finishing L _{max} = 6000 mm	M12
(note minimum length, p. 2-24)	
Customized profile finishing	—

40x45°	L (mm)	No.
1 pc	50 ... 6070	3 842 993 197 / L
12 pcs	6070	3 842 529 373

Quick & Easy (p. 2-7, see fold-out section)

40x45°	3 842 993 726 / ...
Length L (mm)	50 ... 6070
Standard profile finishing L _{max} = 6000 mm	M12
(note minimum length, p. 2-24)	
Customized profile finishing	—

40x60°	L (mm)	No.
1 pc	50 ... 6070	3 842 993 198 / L
12 pcs	6070	3 842 529 375

Quick & Easy (p. 2-7, see fold-out section)

40x60°	3 842 993 727 / ...
Length L (mm)	50 ... 6070
Standard profile finishing L _{max} = 6000 mm	M12
(note minimum length, p. 2-24)	
Customized profile finishing	—

40x40L R

$A = 5,0 \text{ cm}^2$
 $I_x = 7,2 \text{ cm}^4$
 $I_y = 7,2 \text{ cm}^4$
 $W_x = 3,6 \text{ cm}^3$
 $W_y = 3,6 \text{ cm}^3$
 $m = 1,3 \text{ kg/m}$

19208

Cover cap	Color	ESD	No.
40x40 R (1x)	Signal gray	20	3 842 548 784
40x40 R (1x)	Black	20	3 842 548 785

Material: PP

40x40 HR

$A = 5,5 \text{ cm}^2$
 $I_x = 8,1 \text{ cm}^4$
 $I_y = 7,6 \text{ cm}^4$
 $W_x = 4,0 \text{ cm}^3$
 $W_y = 3,6 \text{ cm}^3$
 $m = 1,5 \text{ kg/m}$

19209

Cover cap	Color	ESD	No.
40x40 HR (1x)	Signal gray	20	3 842 548 786
40x40 HR (1x)	Black	20	3 842 548 787

Material: PP

Cover cap with hole ¹⁾	Color	ESD	No.
40x40 HR (1x)	Signal gray	20	3 842 548 786
40x40 HR (1x)	Black	20	3 842 548 787

Material: PP

¹⁾ The cover cap is also suitable for use with a hole, which can be broken out

40x40L R	L (mm)	No.
1 pc	50 ... 6070	3 842 993 184 / L
20 pcs	6070	3 842 529 359

Quick & Easy (p. 2-7, see fold-out section)

40x40L R	3 842 993 725 / ...
Length L (mm)	50 ... 6070
Standard profile finishing $L_{max} = 6000 \text{ mm}$ (note minimum length, p. 2-24)	M12 / DB17 (A,B) ¹⁾
Customized profile finishing	—

¹⁾ For the specified slots

40x40 HR	L (mm)	No.
1 pc	50 ... 6070	3 842 993 256 / L
1 pc M12	110 ... 6000	3 842 993 257 / L
20 pcs	6070	3 842 529 381

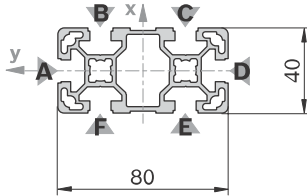
Quick & Easy (p. 2-7, see fold-out section)

40x40 HR	3 842 993 723 / ...
Length L (mm)	50 ... 6070
Standard profile finishing $L_{max} = 6000 \text{ mm}$ (note minimum length, p. 2-24)	M12 / DB17
Customized profile finishing ($L_{max} = 5400 \text{ mm}$)	DI / DIS / MT / MTS / MI / MIS / DG ¹⁾

¹⁾ $DG_{max} = 45^\circ$; $L_{min1} / L_{min2} = 370 / 440 \text{ mm}$

40x80L

A = 9,9 cm²
 I_x = 63,4 cm⁴
 I_y = 17,3 cm⁴
 W_x = 15,9 cm³
 W_y = 8,7 cm³
 m = 2,7 kg/m



19210

Cover cap	Color	ESD	No.
40x80 (1x)	Signal gray	20	3 842 548 748
40x80 (1x)	Black	20	3 842 548 749

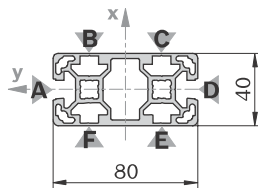
Material: PP

Cover cap with hole	Color	ESD	No.
40x80 (1x)	Signal gray	20	3 842 548 788
40x80 (1x)	Black	20	3 842 548 789

Material: PP

40x80L 2N

A = 10,9 cm²
 I_x = 66,6 cm⁴
 I_y = 20,8 cm⁴
 W_x = 16,6 cm³
 W_y = 10,4 cm³
 m = 2,9 kg/m

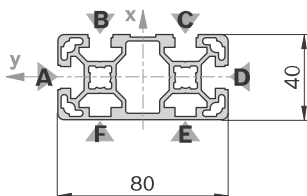


33094

Cover cap: see 40x80

40x80L 4N

A = 10,4 cm²
 I_x = 65,2 cm⁴
 I_y = 19,1 cm⁴
 W_x = 16,3 cm³
 W_y = 9,9 cm³
 m = 2,8 kg/m



19211

Cover cap: see 40x80

40x80L	L (mm)	No.
1 pc	50 ... 6070	3 842 993 130 / L
1 pc M12	60 ... 6000	3 842 993 131 / L
1 pc M12	110... 6000	3 842 993 132 / L
1 pc D17	80 ... 6000	3 842 993 135 / L
1 pc D17	80 ... 6000	3 842 993 136 / L
1 pc D17V	60 ... 6000	3 842 993 137 / L
1 pc D17V	80 ... 6000	3 842 993 138 / L
12 pcs	6070	3 842 529 341

Profile finishing: M12: in all core holes
 D17: in slots B/F, C/E
 D17V: in slots A/D

Quick & Easy (p. 2-7, see fold-out section)

40x80L	3 842 993 728 / ...
Length L (mm)	50 ... 6070
Standard profile finishing L _{max} = 6000 mm (note minimum length, p. 2-24)	M12 / D9.8 / D17 / DB17 / F1 (A,D) ¹⁾
Customized profile finishing (L _{max i} = 5400 mm)	DI / DIS / MT / MTS / MI / MIS / DG ²⁾

¹⁾ For the specified slots
²⁾ DG_{max} = 45°; L_{min1} / L_{min2} = 439 / 578 mm

40x80L 2N	L (mm)	No.
12 pcs	6070	3 842 555 650

Quick & Easy (p. 2-7, see fold-out section)

40x80L 2N	3 842 993 768 / ...
Length L (mm)	50 ... 6070
Standard profile finishing L _{max} = 6000 mm (note minimum length, p. 2-24)	M12 / D9.8 / D17 / DB17 / F1 (A,D) ¹⁾
Customized profile finishing (L _{max i} = 5400 mm)	DI / DIS / MT / MTS / MI / MIS / DG ²⁾

¹⁾ For the specified slots
²⁾ DG_{max} = 45°; L_{min1} / L_{min2} = 439 / 578 mm

40x80L 4N	L (mm)	No.
1 pc	50 ... 6070	3 842 993 424 / L
12 pcs	6070	3 842 536 484

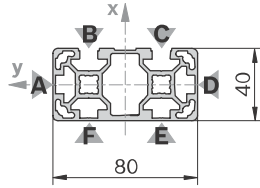
Quick & Easy (p. 2-7, see fold-out section)

40x80L 4N	3 842 993 729 / ...
Length L (mm)	50 ... 6070
Standard profile finishing L _{max} = 6000 mm (note minimum length, p. 2-24)	M12 / D9.8 / D17 / DB17 / F1 (A,D) ¹⁾
Customized profile finishing (L _{max i} = 5400 mm)	DI / DIS / MT / MTS / MI / MIS / DG ²⁾

¹⁾ For the specified slots
²⁾ DG_{max} = 45°; L_{min1} / L_{min2} = 439 / 578 mm

40x80L 2NVS

A = 10,7 cm²
 I_x = 67,8 cm⁴
 I_y = 19,0 cm⁴
 W_x = 17,0 cm³
 W_y = 9,5 cm³
 m = 2,9 kg/m

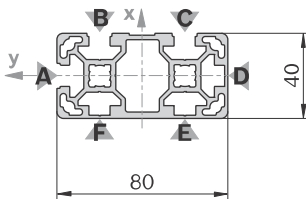


33093

Cover cap: see 40x80

40x80L 3NVS

A = 10,6 cm²
 I_x = 67,8 cm⁴
 I_y = 19,0 cm⁴
 W_x = 17,0 cm³
 W_y = 9,5 cm³
 m = 2,9 kg/m

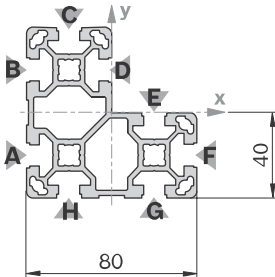


19212

Cover cap: see 40x80

40x80x80L

A = 15,4 cm²
 I_x = 96,6 cm⁴
 I_y = 96,6 cm⁴
 W_x = 24,2 cm³
 W_y = 24,2 cm³
 m = 4,2 kg/m



19213

Cover cap	Color	ESD	No.
40x80x80 (1x)	Signal gray	20	3 842 548 790
40x80x80 (1x)	Black		3 842 548 791
Material:	PP		

40x80L 2NVS	L (mm)	No.
12 pcs		6070 3 842 555 649

Quick & Easy (p. 2-7, see fold-out section)

40x80 L 2NVS	3 842 993 767 / ...
--------------	---------------------

Length L (mm)	50 ... 6070
Standard profile finishing L _{max} = 6000 mm (note minimum length, p. 2-24)	M12 / D9.8 / D17 / DB17
Customized profile finishing (L _{max i} = 5400 mm)	DI / DIS / MT / MTS / MI / MIS / DG ¹⁾

¹⁾ DG_{max} = 45°; L_{min1} / L_{min2} = 439 / 578 mm

40x80L 3NVS	L (mm)	No.
1 pc		50 ... 6070 3 842 993 654 / L
12 pcs		6070 3 842 538 330

1 pc		50 ... 6070 3 842 993 654 / L
------	--	--------------------------------------

Quick & Easy (p. 2-7, see fold-out section)

40x80L 3NVS	3 842 993 753 / ...
-------------	---------------------

Length L (mm)	50 ... 6070
Standard profile finishing L _{max} = 6000 mm (note minimum length, p. 2-24)	M12 / D9.8 / D17 / DB17
Customized profile finishing (L _{max i} = 5400 mm)	DI / DIS / MT / MTS / MI / MIS / DG ¹⁾

¹⁾ DG_{max} = 45°; L_{min1} / L_{min2} = 439 / 578 mm

40x80x80L	L (mm)	No.
1 pc		50 ... 6070 3 842 993 193 / L
8 pc		6070 3 842 537 827

1 pc		50 ... 6070 3 842 993 193 / L
------	--	--------------------------------------

Quick & Easy (p. 2-7, see fold-out section)

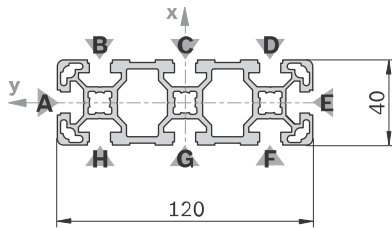
40x80x80L	3 842 993 730 / ...
-----------	---------------------

Length L (mm)	50 ... 6070
Standard profile finishing L _{max} = 6000 mm (note minimum length, p. 2-24)	M12 / D9.8 / D17 / DB17
Customized profile finishing (L _{max i} = 5400 mm)	DI / DIS / MT / MTS / MI / MIS / DG ¹⁾

¹⁾ DG_{max} = 45°; L_{min1} / L_{min2} = 439 / 578 mm

40x120L

A = 15,5 cm²
 I_x = 203,2 cm⁴
 I_y = 27,8 cm⁴
 W_x = 33,9 cm³
 W_y = 13,9 cm³
 m = 4,2 kg/m



19214

Cover cap	Color	ESD	No.
40x40 (1x)	Signal gray	100	3 842 548 746
40x80 (1x)	Signal gray	20	3 842 548 748
40x40 (1x)	Black	20	3 842 548 747
40x80 (1x)	Black	20	3 842 548 749

Material: PP

Notice:

For the 40x120L profile you require the following combination of cover caps: 1x 40x40 und 1x 40x80

40x120L	L (mm)	No.
1 pc	50 ... 6070	3 842 993 139 / L
1 pc M12	60 ... 6000	3 842 993 140 / L
1 pc M12 M12	110 ... 6000	3 842 993 141 / L
1 pc D17 D17	80 ... 6000	3 842 993 142 / L
1 pc D17V D17V	90 ... 6000	3 842 993 225 / L
8 pc	6070	3 842 537 824

Profile finishing: M12: in all core holes
 D17: in slots B/H, C/G, D/F
 D17V: in slots A/E

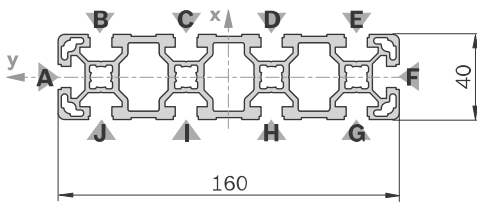
Quick & Easy (p. 2-7, see fold-out section)

40x120L	3 842 993 716 / ...
Length L (mm)	50 ... 6070
Standard profile finishing L _{max} = 6000 mm (note minimum length, p. 2-24)	M12 / D9.8 (B,C,D,F, G,H) ¹⁾ / D17 (B,C,D,F, G,H) ¹⁾ / DB17 / F1 (A,E) ¹⁾
Customized profile finishing (L _{max i} = 5400 mm)	DI / DIS / MT / MTS / MI / MIS / DG ²⁾

¹⁾ For the specified slots
²⁾ DG_{max} = 45°; L_{min1} / L_{min2} = 439 / 578 mm

40x160L

A = 20,5 cm²
 I_x = 466,7 cm⁴
 I_y = 37,2 cm⁴
 W_x = 58,3 cm³
 W_y = 18,6 cm³
 m = 5,5 kg/m



19215

Cover cap	Color	ESD	No.
40x80 (2x)	Signal gray	20	3 842 548 748
40x80 (2x)	Black	20	3 842 548 749

Material: PP

40x160L	L (mm)	No.
1 pc	50 ... 6070	3 842 993 143 / L
1 pc M12	60 ... 6000	3 842 993 144 / L
1 pc M12 M12	110 ... 6000	3 842 993 145 / L
1 pc D17 D17	80 ... 6000	3 842 993 146 / L
6 pcs	6070	3 842 529 345

Profile finishing: M12: in all core holes
 D17: in slots B/J, C/I, D/H, E/G

Quick & Easy (p. 2-7, see fold-out section)

40x160L	3 842 993 717 / ...
Length L (mm)	80 ... 6070
Standard profile finishing L _{max} = 6000 mm (note minimum length, p. 2-24)	M12 / D9.8 (B,C,D,E,G,H, I,J) ¹⁾ / D17 (B,C,D,E,G,H, I,J) ¹⁾ / DB17 / F1 (A,F) ¹⁾
Customized profile finishing (L _{max i} = 5400 mm)	DI / DIS / MT / MTS / MI / MIS / DG ²⁾

¹⁾ For the specified slots
²⁾ DG_{max} = 45°; L_{min1} / L_{min2} = 439 / 578 mm

80x80L

$A = 18,2 \text{ cm}^2$
 $I_x = 132,1 \text{ cm}^4$
 $I_y = 132,1 \text{ cm}^4$
 $W_x = 33,0 \text{ cm}^3$
 $W_y = 33,0 \text{ cm}^3$
 $m = 4,9 \text{ kg/m}$

19216

Cover cap	Color	ESD	No.
80x80 (1x)	Signal gray	20	3 842 548 750
80x80 (1x)	Black	20	3 842 548 751

Material: PP

80x80L 4N

$A = 19,1 \text{ cm}^2$
 $I_x = 142,5 \text{ cm}^4$
 $I_y = 142,5 \text{ cm}^4$
 $W_x = 35,6 \text{ cm}^3$
 $W_y = 35,6 \text{ cm}^3$
 $m = 5,2 \text{ kg/m}$

36363

Cover cap	Color	ESD	No.
80x80 (1x)	Signal gray	20	3 842 548 750
80x80 (1x)	Black	20	3 842 548 751

Material: PP

80x80L	L (mm)	No.
1 pc	50 ... 6070	3 842 993 133 / L
1 pc M12	60 ... 6000	3 842 993 134 / L
1 pc M12 M12	110 ... 6000	3 842 993 147 / L
1 pc M12 D17	90 ... 6000	3 842 993 148 / L
1 pc D17	60 ... 6000	3 842 993 149 / L
1 pc D17 D17	80 ... 6000	3 842 993 150 / L
1 pc D17 D17V	80 ... 6000	3 842 993 151 / L
6 pcs	6070	3 842 529 347

Profile finishing: M12: in all core holes
 D17: in slots A/F, B/E
 D17V: in slots C/H, D/G

Quick & Easy (p. 2-7, see fold-out section)

80x80L	3 842 993 674 / ...
Length L (mm)	50 ... 6070
Standard profile finishing $L_{max} = 6000 \text{ mm}$ (note minimum length, p. 2-24)	M12 / D9.8 / D17 / DB17 / F1
Customized profile finishing ($L_{max i} = 5400 \text{ mm}$)	DI / DIS / MT / MTS / MI / MIS / DG ¹⁾
1) $DG_{max} = 45^\circ$; $L_{min1} / L_{min2} = 439 / 578 \text{ mm}$	

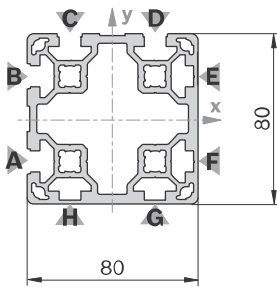
80x80L 4N	L (mm)	No.
6 pcs	6070	3 842 555 651

Quick & Easy (p. 2-7, see fold-out section)

80x80L 4N	3 842 993 769 / ...
Length L (mm)	50 ... 6070
Standard profile finishing $L_{max} = 6000 \text{ mm}$ (note minimum length, p. 2-24)	M12 / D9.8 / D17 / DB17 / F1 (A, B, E, F) ¹⁾
Customized profile finishing ($L_{max i} = 5400 \text{ mm}$)	DI / DIS / MT / MTS / MI / MIS / DG ²⁾
1) For the specified slots	
2) $DG_{max} = 45^\circ$; $L_{min1} / L_{min2} = 439 / 578 \text{ mm}$	

80x80L 4NVS

A = 19,3 cm²
 I_x = 142,5 cm⁴
 I_y = 142,5 cm⁴
 W_x = 35,6 cm³
 W_y = 35,6 cm³
 m = 5,2 kg/m



19416

Cover cap: see 80x80

80x80L 4NVS		L (mm)	No.
1 pc		50 ... 6070	3 842 993 658 / L
6 pcs		6070	3 842 538 334

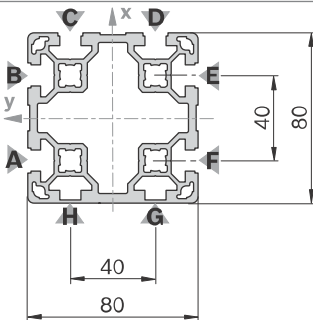
Quick & Easy (p. 2-7, see fold-out section)

80x80L 4NVS		3 842 993 758 / ...	
Length L (mm)		50 ... 6070	
Standard profile finishing L _{max} = 6000 mm (note minimum length, p. 2-24)		M12 / D9.8 / D17 / DB17	
Customized profile finishing (L _{max i} = 5400 mm)		DI / DIS / MT / MTS / MI / MIS / DG ¹⁾	

¹⁾ DG_{max} = 45°; L_{min1} / L_{min2} = 439 / 578 mm

80x80L 6N

A = 18,8 cm²
 I_x = 134,1 cm⁴
 I_y = 140,9 cm⁴
 W_x = 33,5 cm³
 W_y = 36,2 cm³
 m = 5,1 kg/m



19417

Cover cap: see 80x80

80x80L 6N		L (mm)	No.
1 pc		50 ... 6070	3 842 993 423 / L
6 pcs		6070	3 842 536 481

Quick & Easy (p. 2-7, see fold-out section)

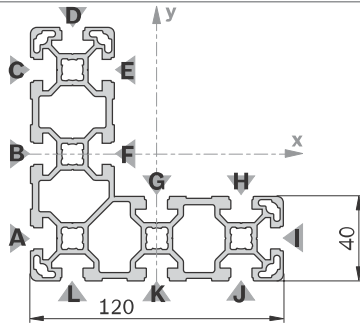
80x80L 6N		3 842 993 675 / ...	
Length L (mm)		50 ... 6070	
Standard profile finishing L _{max} = 6000 mm (note minimum length, p. 2-24)		M12 / D9.8 / D17 / DB17 / F1 (A,C,F) ¹⁾	
Customized profile finishing (L _{max i} = 5400 mm)		DI / DIS / MT / MTS / MI / MIS / DG ²⁾	

¹⁾ For the specified slots

²⁾ DG_{max} = 45°; L_{min1} / L_{min2} = 439 / 578 mm

40x120x120L

A = 24,6 cm²
 I_x = 318,0 cm⁴
 I_y = 318,0 cm⁴
 W_x = 42,2 cm³
 W_y = 42,2 cm³
 m = 6,7 kg/m



19418

Cover cap	Color	ESD		No.
40x40 (5x)	Signal gray	100		3 842 548 746
40x80 (2x)	Signal gray	20		3 842 548 748
40x40 (1x)	Signal gray	100		3 842 548 746
40x40 (5x)	Black		20	3 842 548 747
40x80 (2x)	Black		20	3 842 548 749
40x40 (1x)	Black		20	3 842 548 747

Material:

PP

Notice:

for the 40x120x120L profile you require the following combination of cover caps: 5x 40x40 or 2x 40x80 and 1x 40x40

40x120x120L		L (mm)	No.
1 pc		50 ... 6070	3 842 993 653 / L
4 pcs		6070	3 842 538 287

Quick & Easy (p. 2-7, see fold-out section)

40x120x120L		3 842 993 757 / ...	
Length L (mm)		50 ... 6070	
Standard profile finishing L _{max} = 6000 mm (note minimum length, p. 2-24)		M12 / D9.8 (B,C,J,K) ¹⁾ / D17 / DB17 (A,B,C,D,I, J,K,L) ¹⁾ / F1 (D,I) ¹⁾	
Customized profile finishing (L _{max i} = 5400 mm)		DI / DIS / MT / MTS / MI / MIS / DG ²⁾	

¹⁾ For the specified slots

²⁾ DG_{max} = 45°; L_{min1} / L_{min2} = 420 / 540 mm

80x120L

$A = 25,6 \text{ cm}^2$
 $I_x = 389,2 \text{ cm}^4$
 $I_y = 192,8 \text{ cm}^4$
 $W_x = 64,9 \text{ cm}^3$
 $W_y = 48,2 \text{ cm}^3$
 $m = 6,9 \text{ kg/m}$

19419

Cover cap	Color	ESD	No.
80x120 (1x)	Signal gray	20	3 842 548 792
80x120 (1x)	Black	20	3 842 548 793

Material: PP

80x120L	L (mm)	No.
1 pc	50 ... 6070	3 842 993 201 / L
1 pc M12	60 ... 6000	3 842 993 202 / L
1 pc M12 M12	110 ... 6000	3 842 993 203 / L
1 pc D17	80 ... 6000	3 842 993 204 / L
1 pc D17V	90 ... 6000	3 842 993 229 / L
4 pcs	6070	3 842 537 828

Profile finishing: M12: in all core holes
D17: in slots C/J, D/I, E/H
D17V: in slots A/G, B/F

Quick & Easy (p. 2-7, see fold-out section)

80x120L	3 842 993 672 / ...
Length L (mm)	50 ... 6070
Standard profile finishing $L_{max} = 6000 \text{ mm}$ (note minimum length, p. 2-24)	M12 / D9.8 (C,D,E,H,I, J) ¹⁾ / D17 (C,D,E,H,I,J) ¹⁾ / DB17 / F1 (A,F) ¹⁾
Customized profile finishing ($L_{max} = 5400 \text{ mm}$)	DI / DIS / MT / MTS / MI / MIS / DG ²⁾

¹⁾ For the specified slots

²⁾ $DG_{max} = 45^\circ$; $L_{min1} / L_{min2} = 439 / 578 \text{ mm}$

80x160L

$A = 32,9 \text{ cm}^2$
 $I_x = 850,7 \text{ cm}^4$
 $I_y = 253,4 \text{ cm}^4$
 $W_x = 106,3 \text{ cm}^3$
 $W_y = 63,4 \text{ cm}^3$
 $m = 8,9 \text{ kg/m}$

19420

Cover cap	Color	ESD	No.
80x80 (2x)	Signal gray	20	3 842 548 750
80x80 (2x)	Black	20	3 842 548 751

Material: PP

80x160L	L (mm)	No.
1 pc	50 ... 6070	3 842 993 127 / L
1 pc M12	60 ... 6000	3 842 993 128 / L
1 pc M12 M12	110 ... 6000	3 842 993 152 / L
1 pc M12 D17	90 ... 6000	3 842 993 153 / L
1 pc D17	60 ... 6000	3 842 993 154 / L
1 pc D17 D17	80 ... 6000	3 842 993 155 / L
1 pc D17V	90 ... 6000	3 842 993 226 / L
3 pcs	6070	3 842 529 349

Profile finishing: M12: in all core holes
D17: in slots C/L, D/K, E/J, F/I
D17V: in slots A/H, B/G

Quick & Easy (p. 2-7, see fold-out section)

80x160L	3 842 993 673 / ...
Length L (mm)	80 ... 6070
Standard profile finishing $L_{max} = 6000 \text{ mm}$ (note minimum length, p. 2-24)	M12 / D9.8 (C,D,E,F,I, J,K,L) ¹⁾ / D17 (C,D,E,F,I,J, K,L) ¹⁾ / DB17 / F1 (A,G) ¹⁾
Customized profile finishing ($L_{max} = 5400 \text{ mm}$)	DI / DIS / MT / MTS / MI / MIS / DG ²⁾

¹⁾ For the specified slots

²⁾ $DG_{max} = 45^\circ$; $L_{min1} / L_{min2} = 460 / 620 \text{ mm}$