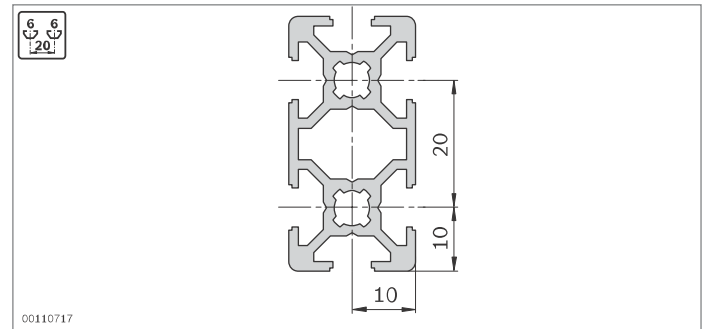
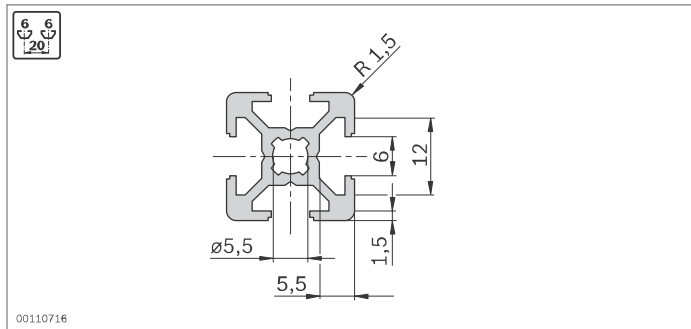


Strut profiles with 6 mm slot

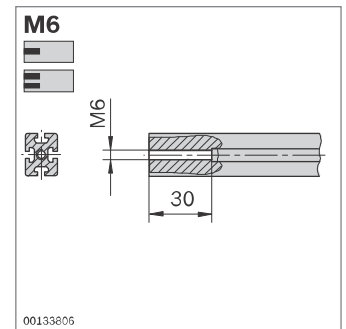
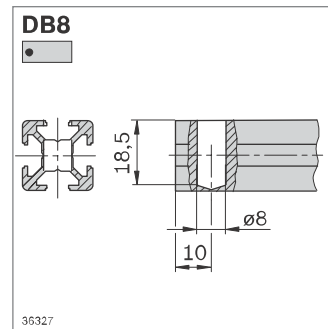
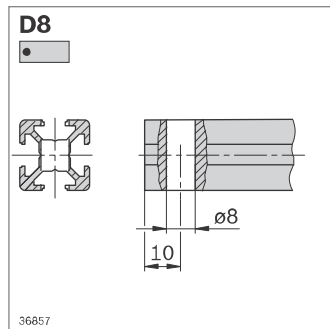
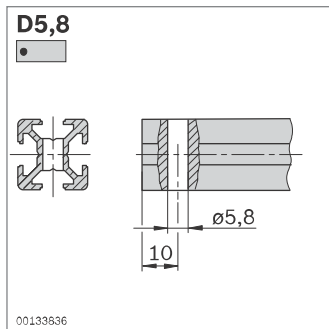
Strut profiles with 6 mm slot for light structures, such as supports and lab fixtures.

The 20x40 and 20x60 profiles are especially suitable for reinforcing; the 20x40x40 profile is suitable for constructing showcases, flow racks, and enclosures.

Slot, modular dimensions, central bore



Profile finishing



Minimum profile lengths (mm) for Quick & Easy standard profile finishing on one or both sides

	-	M6	D5.8	D8/DB8
-	50	50	50	50
M6	50	70	50	70
D5.8	50	50	50	50
D8/DB8	50	70	50	50

Reduced maximum profile lengths $L_{max i}$ at customized profile finishing

L_{max} (mm)	$L_{max i}$ (mm)
6070	5400
3000	2300
2000	1300

20x20

A = 1,6 cm²
 I_x = 0,7 cm⁴
 I_y = 0,7 cm⁴
 W_x = 0,7 cm³
 W_y = 0,7 cm³
 m = 0,4 kg/m

19166

20x20		L (mm)	No.
1 pc		50 ... 3000	3 842 992 888 / L
1 pc	M6	50 ... 3000	3 842 993 230 / L
1 pc	M6 M6	70 ... 3000	3 842 993 231 / L
1 pc	M6 D8	70 ... 3000	3 842 993 494 / L
1 pc	D8	50 ... 3000	3 842 993 493 / L
1 pc	D8 D8	50 ... 3000	3 842 993 495 / L
1 pc	D8 D8V	50 ... 3000	3 842 993 496 / L
20 pcs		3000	3 842 517 179

Cover cap	Color	ESD	No.
20x20 (1x)	Signal gray	100	3 842 548 742
20x20 (1x)	Black		3 842 548 743

Material: PP

Quick & Easy (p. 2-7, see fold-out section)

20x20	3 842 993 694 / ...
Length L (mm)	50 ... 3000
Standard profile finishing (note minimum length, p. 2-10)	M6 / D5.8 / D8 / DB8
Customized profile finishing (L _{max i} = 2300 mm)	DI / DIS / MT / MTS / MI / MIS / DG ¹⁾

¹⁾ DG_{max} = 45°; L_{min1} / L_{min2} = 335 / 370 mm

20x20 1N

A = 1,9 cm²
 I_x = 0,8 cm⁴
 I_y = 0,8 cm⁴
 W_x = 0,8 cm³
 W_y = 0,8 cm³
 m = 0,5 kg/m

19169

20x20 1N		L (mm)	No.
1 pc		50 ... 3000	3 842 993 421 / L
20 pcs		3000	3 842 536 475

Quick & Easy (p. 2-7, see fold-out section)

20x20 1N	3 842 993 690 / ...
Length L (mm)	50 ... 3000
Standard profile finishing (note minimum length, p. 2-10)	M6 / D5.8 / D8 / DB8
Customized profile finishing (L _{max i} = 2300 mm)	DI / DIS / MT / MTS / MI / MIS / DG ¹⁾

¹⁾ DG_{max} = 45°; L_{min1} / L_{min2} = 335 / 370 mm

Cover cap: see 20x20

20x20 2N

A = 1,8 cm²
 I_x = 0,7 cm⁴
 I_y = 0,8 cm⁴
 W_x = 0,7 cm³
 W_y = 0,8 cm³
 m = 0,5 kg/m

19170

20x20 2N		L (mm)	No.
1 pc		50 ... 3000	3 842 993 422 / L
20 pcs		3000	3 842 536 478

Quick & Easy (p. 2-7, see fold-out section)

20x20 2N	3 842 993 691 / ...
Length L (mm)	50 ... 3000
Standard profile finishing (note minimum length, p. 2-10)	M6 / D5.8 / D8 / DB8
Customized profile finishing (L _{max i} = 2300 mm)	DI / DIS / MT / MTS / MI / MIS / DG ¹⁾

¹⁾ DG_{max} = 45°; L_{min1} / L_{min2} = 335 / 370 mm

Cover cap: see 20x20

20x20 2NVS

$A = 1,8 \text{ cm}^2$
 $I_x = 0,7 \text{ cm}^4$
 $I_y = 0,7 \text{ cm}^4$
 $W_x = 0,7 \text{ cm}^3$
 $W_y = 0,7 \text{ cm}^3$
 $m = 0,5 \text{ kg/m}$

19171

Cover cap: see 20x20

20x20 2NVS		L (mm)	No.
1 pc		50 ... 3000	3 842 992 924 / L
20 pcs		3000	3 842 519 658

Quick & Easy (p. 2-7, see fold-out section)

20x20 2NVS		3 842 993 692 / ...
Length L (mm)	50 ... 3000	
Standard profile finishing (note minimum length, p. 2-10)	M6 / D5.8 / D8 / DB8	
Customized profile finishing ($L_{\max i} = 2300 \text{ mm}$)	DI / DIS / MT / MTS / MI / MIS / DG ¹⁾	

¹⁾ $DG_{\max} = 45^\circ$; $L_{\min 1} / L_{\min 2} = 335 / 370 \text{ mm}$

20x20 3N

$A = 1,7 \text{ cm}^2$
 $I_x = 0,7 \text{ cm}^4$
 $I_y = 0,8 \text{ cm}^4$
 $W_x = 0,7 \text{ cm}^3$
 $W_y = 0,7 \text{ cm}^3$
 $m = 0,5 \text{ kg/m}$

19172

Cover cap: see 20x20

20x20 3N		L (mm)	No.
1 pc		50 ... 3000	3 842 992 889 / L
20 pcs		3000	3 842 517 180

Quick & Easy (p. 2-7, see fold-out section)

20x20 3N		3 842 993 693 / ...
Length L (mm)	50 ... 3000	
Standard profile finishing (note minimum length, p. 2-10)	M6 / D5.8 / D8 / DB8	
Customized profile finishing ($L_{\max i} = 2300 \text{ mm}$)	DI / DIS / MT / MTS / MI / MIS / DG ¹⁾	

¹⁾ $DG_{\max} = 45^\circ$; $L_{\min 1} / L_{\min 2} = 335 / 370 \text{ mm}$

20x20 R

$A = 1,6 \text{ cm}^2$
 $I_x = 0,6 \text{ cm}^4$
 $I_y = 0,6 \text{ cm}^4$
 $W_x = 0,5 \text{ cm}^3$
 $W_y = 0,5 \text{ cm}^3$
 $m = 0,4 \text{ kg/m}$

19173

Cover cap	Color	ESD	No.
20x20 R (1x)	Signal gray	20	3 842 548 826
20x20 R (1x)	Black	20	3 842 548 827

Material: PP

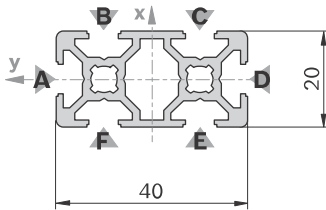
20x20 R		L (mm)	No.
1 pc		50 ... 3000	3 842 992 890 / L
20 pcs		3000	3 842 517 183

Quick & Easy (p. 2-7, see fold-out section)

20x20 R		3 842 993 695 / ...
Length L (mm)	50 ... 3000	
Standard profile finishing (note minimum length, p. 2-10)	M6	
Customized profile finishing ($L_{\max i} = 2300 \text{ mm}$)	—	

20x40

A = 2,9 cm²
 I_x = 4,6 cm⁴
 I_y = 1,2 cm⁴
 W_x = 2,5 cm³
 W_y = 1,4 cm³
 m = 0,8 kg/m

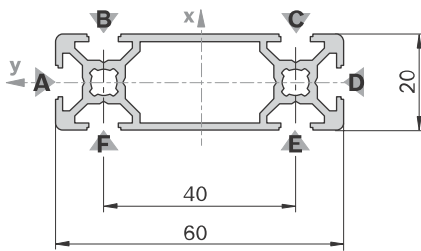


Cover cap	Color	ESD	No.
20x20 (2x)	Signal gray	100	3 842 548 742
20x20 (2x)	Black	20	3 842 548 743

Material: PP

20x60

A = 3,5 cm²
 I_x = 14,2 cm⁴
 I_y = 1,7 cm⁴
 W_x = 4,7 cm³
 W_y = 1,7 cm³
 m = 0,9 kg/m

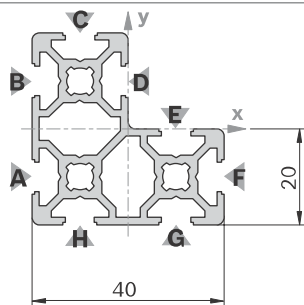


Cover cap	Color	ESD	No.
20x60 (1x)	Signal gray	20	3 842 548 828
20x60 (1x)	Black	20	3 842 548 829

Material: PP

20x40x40

A = 4,2 cm²
 I_x = 6,0 cm⁴
 I_y = 6,0 cm⁴
 W_x = 2,6 cm³
 W_y = 2,6 cm³
 m = 1,1 kg/m



Cover cap	Color	ESD	No.
20x20 (3x)	Signal gray	100	3 842 548 742
20x20 (3x)	Black	20	3 842 548 743

Material: PP

20x40	L (mm)	No.
1 pc	50 ... 3000	3 842 992 891 / L
1 pc D8	50 ... 3000	3 842 993 497 / L
1 pc D8 / D8	50 ... 3000	3 842 993 499 / L
1 pc D8 / D8V	50 ... 3000	3 842 993 500 / L
1 pc D8V	50 ... 3000	3 842 993 498 / L
1 pc D8V / D8V	50 ... 3000	3 842 993 501 / L
24 pcs	3000	3 842 537 816

Profile finishing: D8: in slots B/F, C/E
 D8V: in slots A/D

Quick & Easy (p. 2-7, see fold-out section)

20x40	3 842 993 696 / ...
Length L (mm)	50 ... 3000
Standard profile finishing (note minimum length, p. 2-10)	M6 / D5.8 / D8 / DB8
Customized profile finishing (L _{max i} = 2300 mm)	DI / DIS / MT / MTS / MI / MIS / DG ¹⁾

¹⁾ DG_{max} = 45°; L_{min1} / L_{min2} = 370 / 440 mm

20x60	L (mm)	No.
1 pc	50 ... 3000	3 842 992 992 / L
16 pcs	3000	3 842 537 819

Quick & Easy (p. 2-7, see fold-out section)

20x60	3 842 993 698 / ...
Length L (mm)	50 ... 3000
Standard profile finishing (note minimum length, p. 2-10)	M6 / D5.8 (B,C,E,F) ¹⁾ / D8 (B,C,E,F) ¹⁾ / DB8
Customized profile finishing (L _{max i} = 2300 mm)	DI / DIS / MT / MTS / MI / MIS / DG ²⁾

¹⁾ For the specified slots

²⁾ DG_{max} = 45°; L_{min1} / L_{min2} = 404 / 508 mm

20x40x40	L (mm)	No.
1 pc	50 ... 3000	3 842 992 991 / L
16 pcs	3000	3 842 537 818

Quick & Easy (p. 2-7, see fold-out section)

20x40x40	3 842 993 697 / ...
Length L (mm)	50 ... 3000
Standard profile finishing (note minimum length, p. 2-10)	M6 / D5.8 / D8 / DB8
Customized profile finishing (L _{max i} = 2300 mm)	DI / DIS / MT / MTS / MI / MIS / DG ¹⁾

¹⁾ DG_{max} = 45°; L_{min1} / L_{min2} = 370 / 440 mm