

Central bolt, Anti-torsion element, cover cap

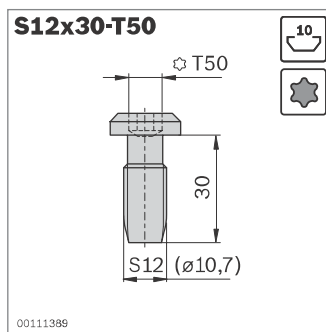
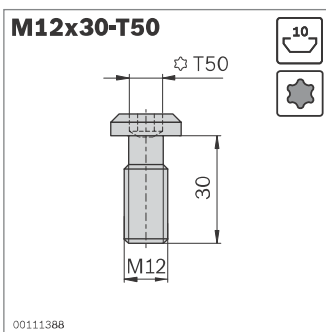
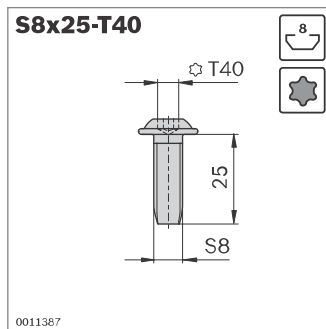
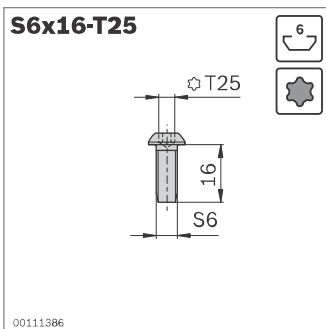


Central bolt

- ▶ Best-value connection element
- ▶ Self-tapping screw, can be mounted without profile finishing
- ▶ Profile finishing:
 - Thread cutting for M12x30 screw
 - Through-hole for screwdriver/offset screwdriver

Tools:

Offset screwdriver (p. 14-5)



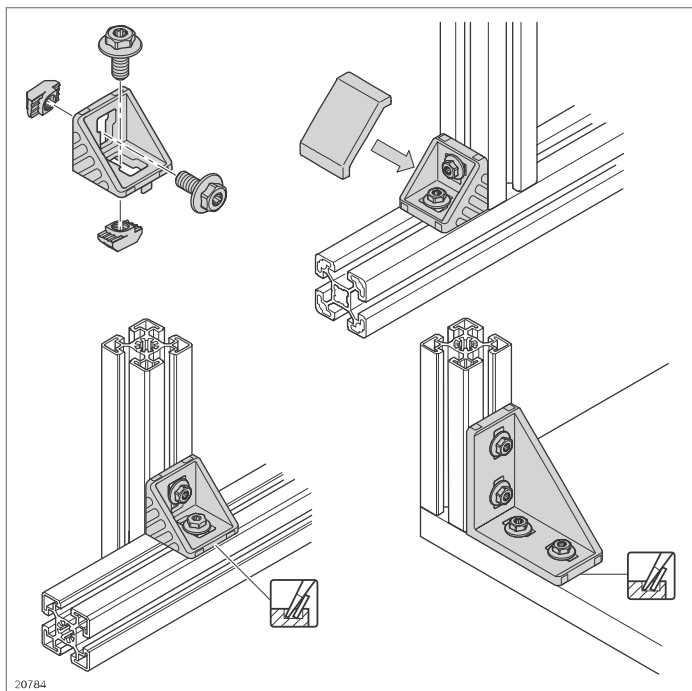
Central bolt	Slot	ESD	No.
S6x16-T25 (self-tapping)	6	ESD	100 3 842 528 593
S8x25-T40 (self-tapping)	8	ESD	100 3 842 527 174

Material: Steel; galvanized

Central bolt	Slot	ESD	No.
M12x30-T50	10	ESD	100 3 842 530 235
S12x30-T50 (self-tapping)	10	ESD	100 3 842 530 236

Material: Steel; galvanized

Size	F_{max}	M_{max}
S6	500 N	8 Nm
S8	800 N	43 Nm
S12	1300 N	80 Nm
M12	3000 N	80 Nm



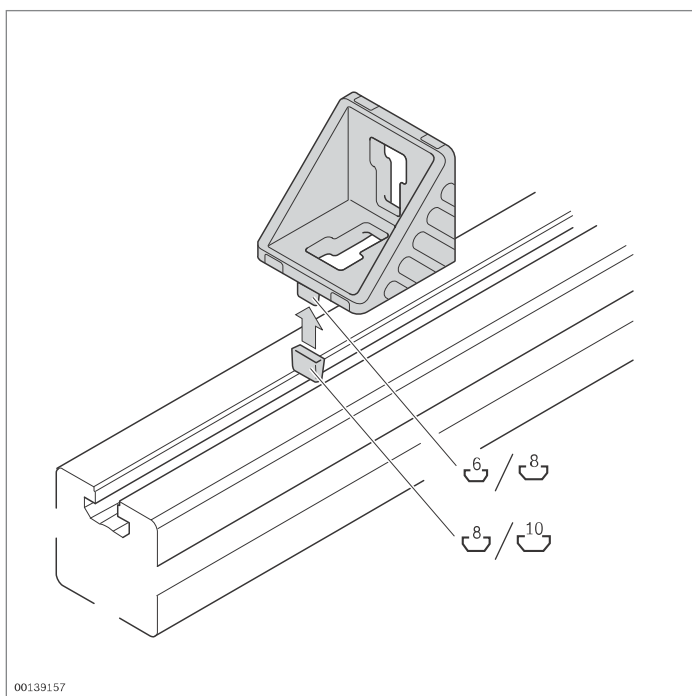
Bracket

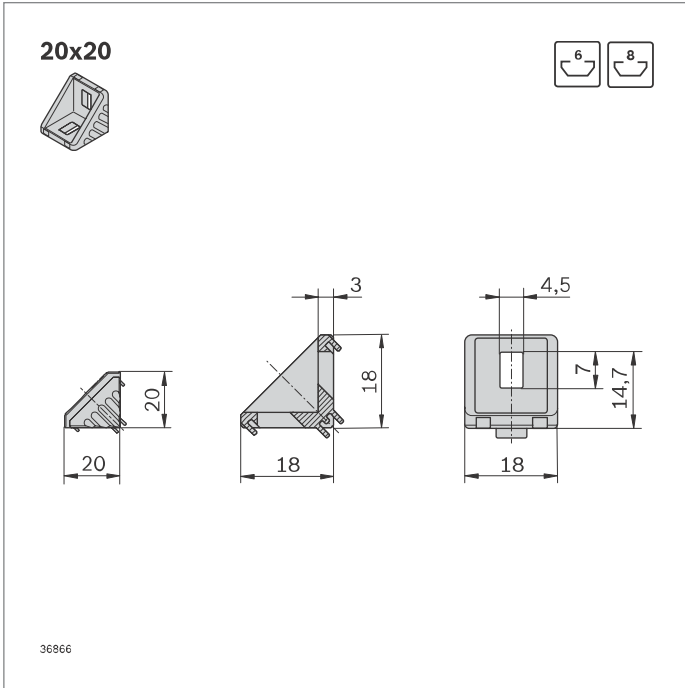


- ▶ Brackets with centering lugs for rapid, precise assembly with protection against turning
- ▶ Centering lugs can be easily broken off for assembly on plates or at right angles to the slot
- ▶ *designLINE* version with special silver paint (RAL 9006) for an attractive, high-quality design
- ▶ Intermediate element for positioning brackets in the next largest slot
- ▶ Sliding block offset for off-center positioning of the 45/45 bracket
- ▶ For preventing dry running. available in signal gray (RAL 7004) and black ESD (RAL 9005)
- ▶ Profile finishing: Not required

Technical data (p. 18-19)

Notice: The collar screws enable the brackets to be assembled really quickly and easily (p. 3-5)



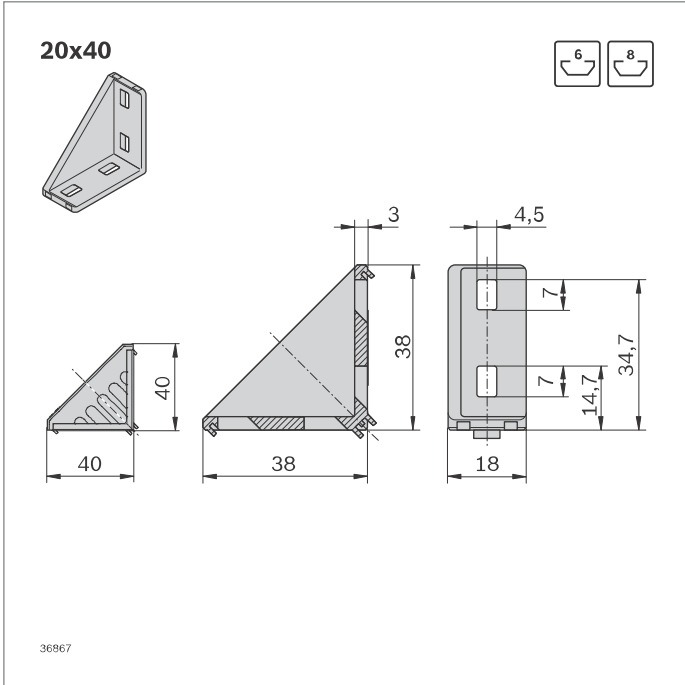
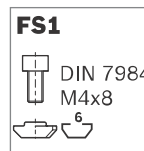


20x20	Slot	ESD	Icon	No.	FS
Set (standard)	6 / 6	⚡	1	3 842 523 511	2xFS1
<i>designLINE</i> set	6 / 6	⚡	1	3 842 551 596	2xFS1
Bracket (standard)	6	⚡	100	3 842 523 508	
Cover cap, signal gray			100	3 842 548 842	
Cover cap, black		⚡	20	3 842 548 843	
Intermediate element for 8 mm slot	6 / 8		100	3 842 523 516	

Material: Bracket: Diecast aluminum, vibratory ground
designLINE bracket: painted (RAL 9006)
 Intermediate element: PA; black
 Cover cap: PP
 Fastening material: Steel; galvanized

Scope of delivery: Set incl. fastening material (FS)

Type	F_{max}	M_{max}	M_{max}	M_{max}
20x20	700 N	6 Nm	25 Nm	—

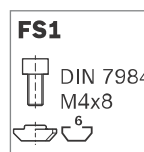


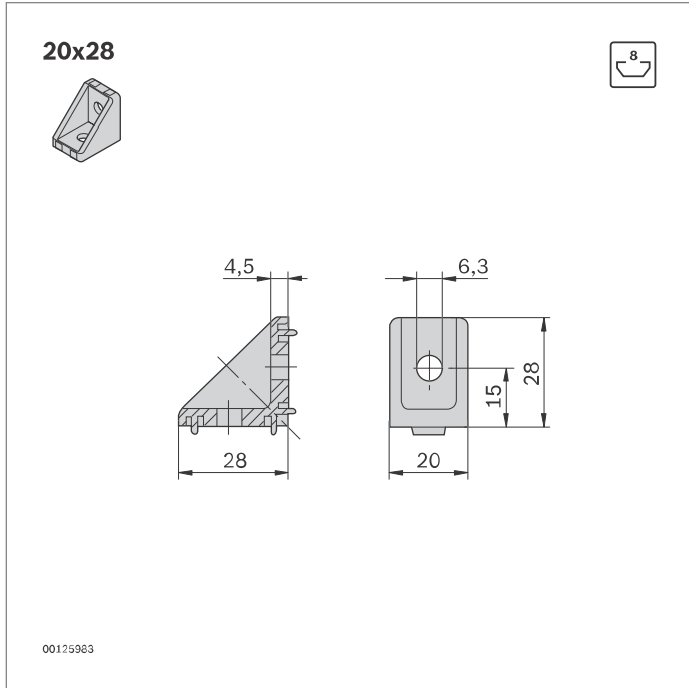
20x40	Slot	ESD	Icon	No.	FS
Set (standard)	6 / 6	⚡	1	3 842 523 520	4xFS1
<i>designLINE</i> set	6 / 6	⚡	1	3 842 551 597	4xFS1
Bracket (standard)	6	⚡	20	3 842 523 517	
Cover cap, signal gray			20	3 842 548 844	
Cover cap, black		⚡	20	3 842 548 845	
Intermediate element for 8 mm slot	6 / 8		100	3 842 523 516	

Material: Bracket: Diecast aluminum, vibratory ground
designLINE bracket: painted (RAL 9006)
 Intermediate element: PA; black
 Cover cap: PP
 Fastening material: Steel; galvanized

Scope of delivery: Set incl. fastening material (FS)

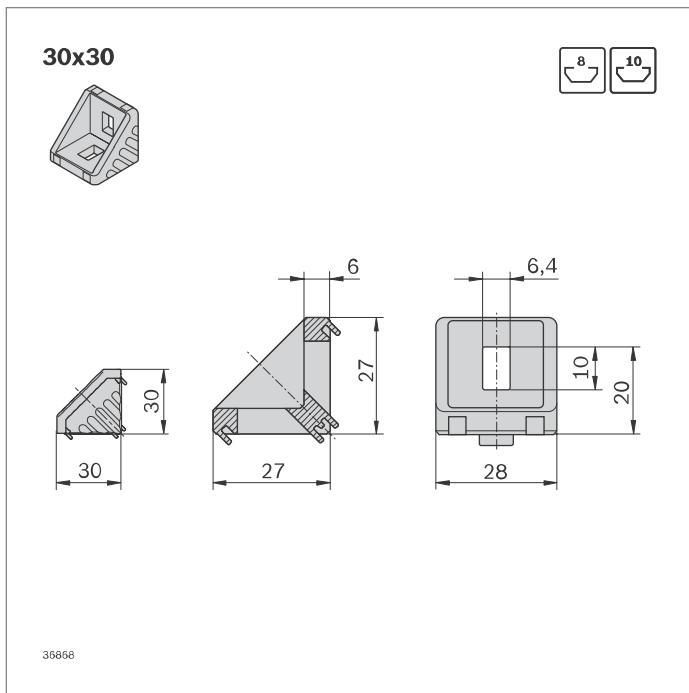
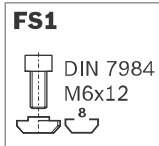
Type	F_{max}	M_{max}	M_{max}	M_{max}
20x40	1400 N	15 Nm	50 Nm	8 Nm





20x28	Slot	ESD	No.	FS
Set (standard)	8 / 8		1 3 842 502 137	2xFS1
Bracket (standard)	8		100 3 842 501 587	

Material: Diecast zinc
 Fastening material: Steel; galvanized
 Scope of delivery: Set incl. fastening material (FS)



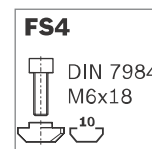
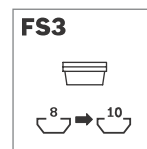
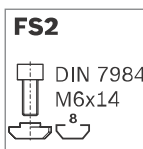
30x30	Slot	ESD	No.	FS
Set (standard)	8 / 8		1 3 842 523 528	2xFS2
	8 / 10		1 3 842 523 530	1xFS2, 2xFS3, 1xFS4
	10 / 10		1 3 842 523 532	4xFS3, 2xFS4
<i>designLINE</i> set	8 / 8		1 3 842 551 598	2xFS2
	8 / 10		1 3 842 551 600	1xFS2, 2xFS3, 1xFS4
	10 / 10		1 3 842 551 599	4xFS3, 2xFS4

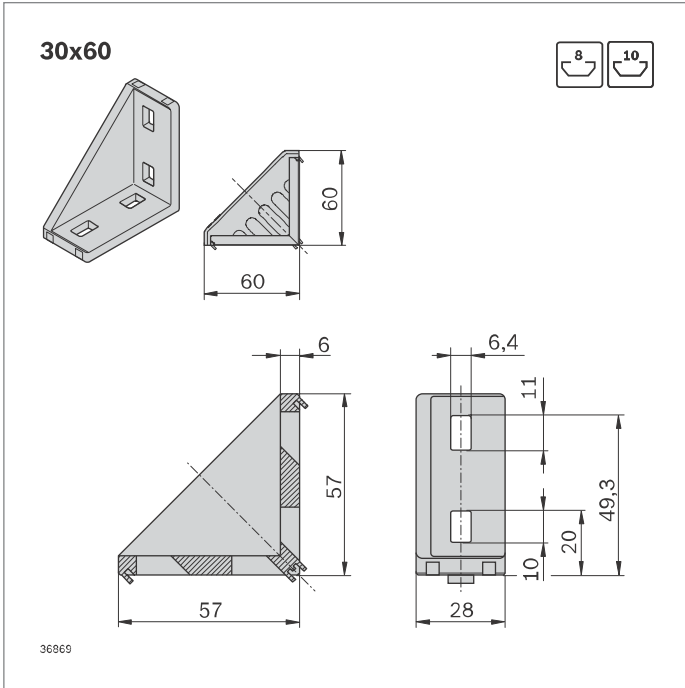
Bracket (standard)	8		100 3 842 523 525
Cover cap, signal gray			100 3 842 548 846
Cover cap, black			20 3 842 548 847
Intermediate element for 10 mm slot	8 / 10		100 3 842 523 537

Material: Bracket: Diecast aluminum, vibratory ground
designLINE bracket: painted (RAL 9006)
 Intermediate element: PA; black
 Cover cap: PP
 Fastening material: Steel; galvanized

Scope of delivery: Set incl. fastening material (FS)

Type				
30x30	1250 N	25 Nm	75 Nm	—

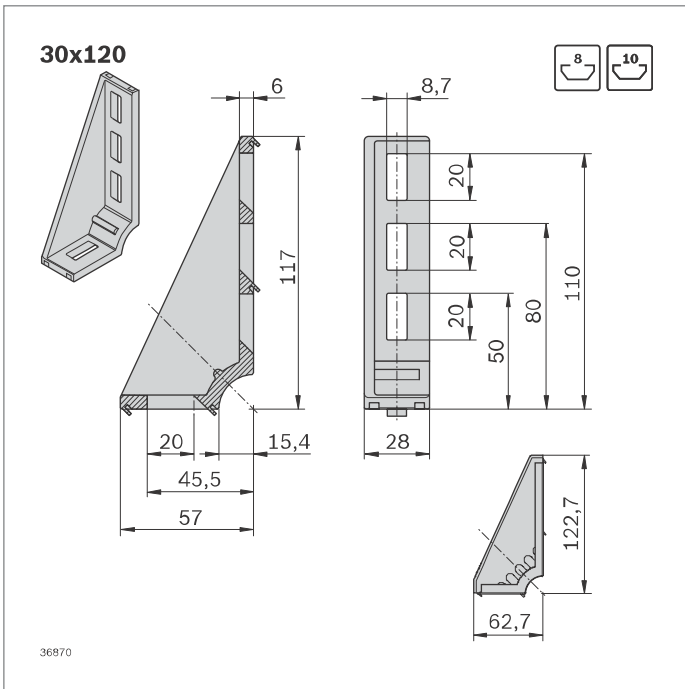
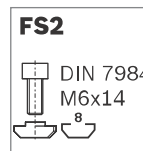




30x60	Slot	ESD	No.	FS
Set (standard)	8 / 8		1	3 842 523 541 4xFS2
<i>designLINE</i> set	8 / 8		1	3 842 551 601 4xFS2
Bracket (standard)	8		20	3 842 523 538
Cover cap, signal gray			20	3 842 548 848
Cover cap, black			20	3 842 548 849
Intermediate element for 10 mm slot	8 / 10		100	3 842 523 537

Material: Bracket: Diecast aluminum, vibratory ground
designLINE bracket: painted (RAL 9006)
 Intermediate element: PA; black
 Cover cap: PP
 Fastening material: Steel; galvanized
 Scope of delivery: Set incl. fastening material (FS)

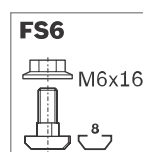
Type				
30x60	2500 N	100 Nm	170 Nm	25 Nm

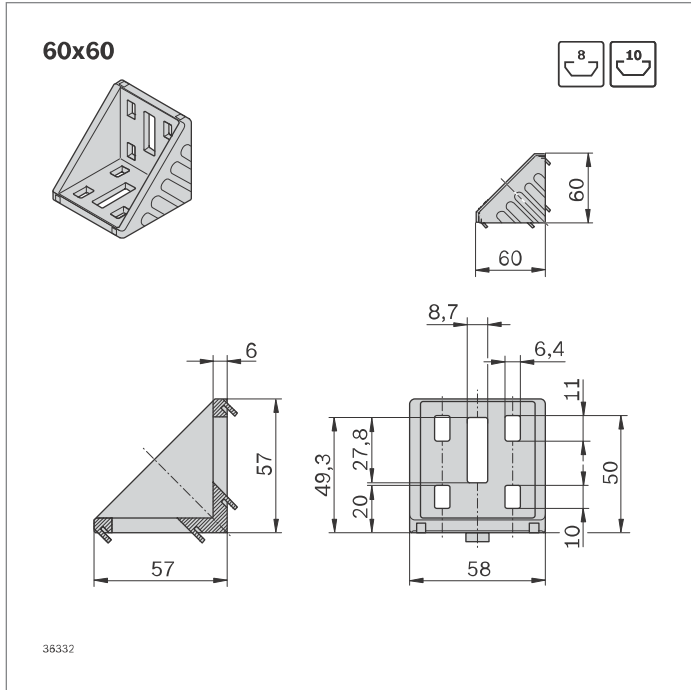


30x120	Slot	ESD	No.	FS
<i>designLINE</i> set	8 / 8		1	3 842 551 602 2xFS6
Bracket (standard)	8		20	3 842 523 587
Cover cap, signal gray			20	3 842 548 850
Cover cap, black			20	3 842 548 851
Intermediate element for 10 mm slot	8 / 10		100	3 842 523 537

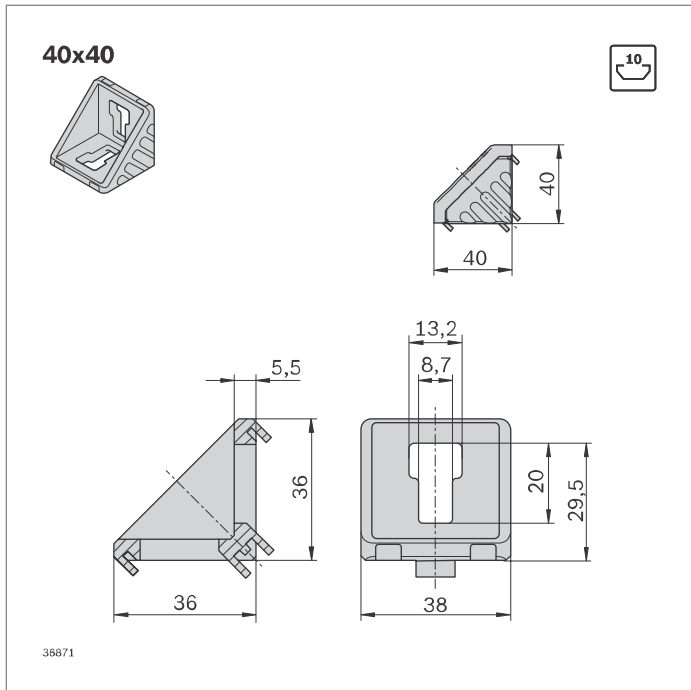
Material: Bracket: Diecast aluminum, vibratory ground
designLINE bracket: painted (RAL 9006)
 Intermediate element: PA; black
 Cover cap: PP
 Fastening material: Steel; galvanized
 Scope of delivery: Set incl. fastening material (FS)

Type			
30x120	3750 N	100 Nm	47 Nm





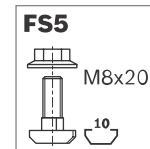
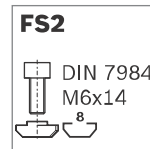
Type	Slot	F_{max}	M_{max}	M_{max}	M_{max}
60x60	8	5000 N	320 Nm	370 Nm	110 Nm
	10	3000 N	125 Nm	150 Nm	-



Type	F_{max}	M_{max}	M_{max}	M_{max}
40x40	3000 N	55 Nm	145 Nm	35 Nm

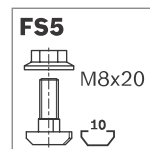
60x60	Slot	ESD	No.	FS
Set (standard)	8 / 8		1 3 842 523 549	8xFS2
	8 / 10		1 3 842 523 551	4xFS2, 1xFS5
	10 / 10		1 3 842 523 553	2xFS5
<i>designLINE</i> set	8 / 8		1 3 842 551 609	8xFS2
	8 / 10		1 3 842 551 610	4xFS2, 1xFS5
	10 / 10		1 3 842 551 611	2xFS5
Bracket (standard)	8		20 3 842 523 546	
Cover cap, signal gray			20 3 842 548 852	
Cover cap, black			20 3 842 548 853	
Intermediate element for 10 mm slot	10	100	3 842 523 537	

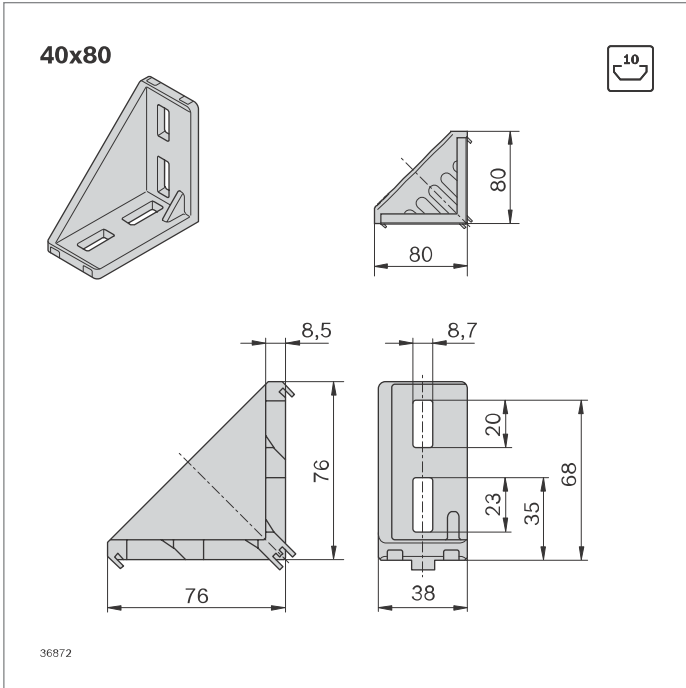
Material: Bracket: Diecast aluminum, vibratory ground
designLINE bracket: painted (RAL 9006)
 Intermediate element: PA; black
 Cover cap: PP
 Fastening material: Steel; galvanized
 Scope of delivery: Set incl. fastening material (FS)








40x40	Slot	ESD	No.	FS
Set (standard)	10 / 10		1 3 842 529 383	2xFS5
<i>designLINE</i> set	10 / 10		1 3 842 551 603	2xFS5
Bracket (standard)	10		100 3 842 528 967	
Cover cap, signal gray			100 3 842 548 854	
Cover cap, black			20 3 842 548 855	

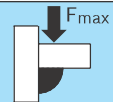
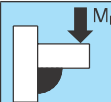
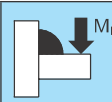

Material: Bracket: Diecast aluminum, vibratory ground
designLINE bracket: painted (RAL 9006)
 Cover cap: PP
 Fastening material: Steel; galvanized
 Scope of delivery: Set incl. fastening material (FS)

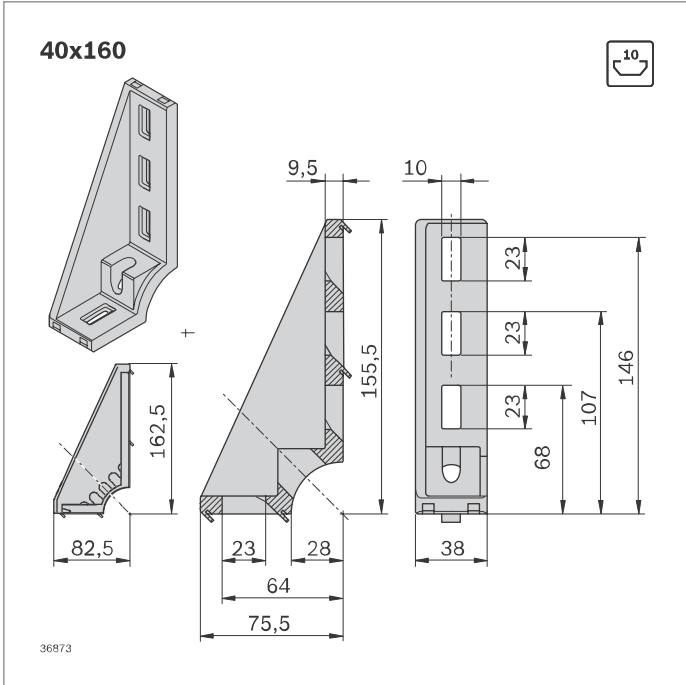
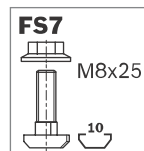








40x80	Slot	ESD		No.	FS
Set (standard)	10 / 10		1	3 842 529 386	4xFS7
<i>designLINE</i> set	10 / 10		1	3 842 551 604	4xFS7
Bracket (standard)	10		20	3 842 529 005	
Cover cap, signal gray			20	3 842 548 856	
Cover cap, black			20	3 842 548 857	

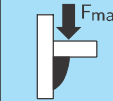
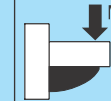
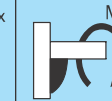
Material: Bracket: Diecast aluminum, vibratory ground
designLINE bracket: painted (RAL 9006)
 Cover cap: PP
 Fastening material: Steel; galvanized
 Scope of delivery: Set incl. fastening material (FS)

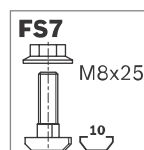
Type				
40x80	6000 N	180 Nm	400 Nm	60 Nm

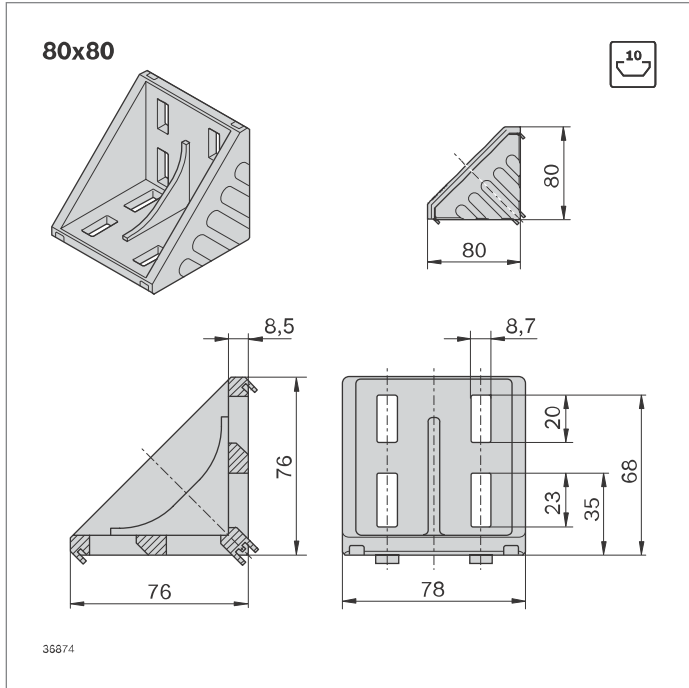


40x160	Slot	ESD		No.	FS
<i>designLINE</i> set	10 / 10		1	3 842 551 605	2x FS7
Bracket (standard)	10		20	3 842 529 006	
Cover cap, signal gray			20	3 842 548 858	
Cover cap, black			20	3 842 548 859	

Material: Bracket: Diecast aluminum, vibratory ground
designLINE bracket: painted (RAL 9006)
 Cover cap: PP
 Fastening material: Steel; galvanized
 Scope of delivery: Set incl. fastening material (FS)

Type			
40x160	9000 N	250 Nm	60 Nm

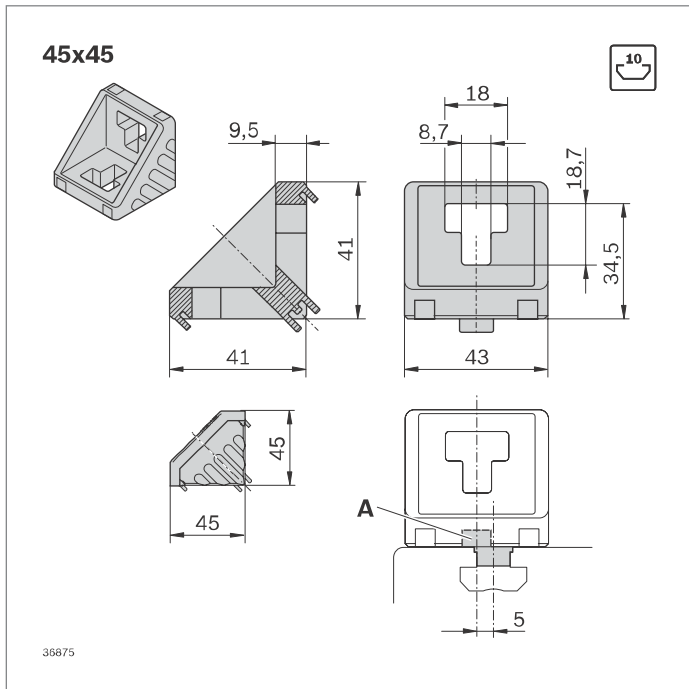
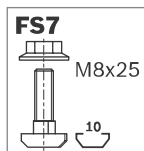




Type	F_{max}	M_{max}	M_{max}	M_{max}
80x80	14000 N	500 Nm	1000 Nm	400 Nm

80x80	Slot	ESD	No.	FS
Set (standard)	10 / 10		1 3 842 530 360	8xFS7
<i>designLINE</i> set	10 / 10		1 3 842 551 612	8xFS7
Bracket (standard)	10		20 3 842 530 231	
Cover cap, signal gray			20 3 842 548 860	
Cover cap, black			20 3 842 548 861	

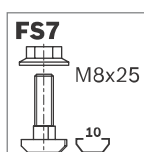
Material: Bracket: Diecast aluminum, vibratory ground
designLINE bracket: painted (RAL 9006)
 Cover cap: PP
 Fastening material: Steel; galvanized
 Scope of delivery: Set incl. fastening material (FS)

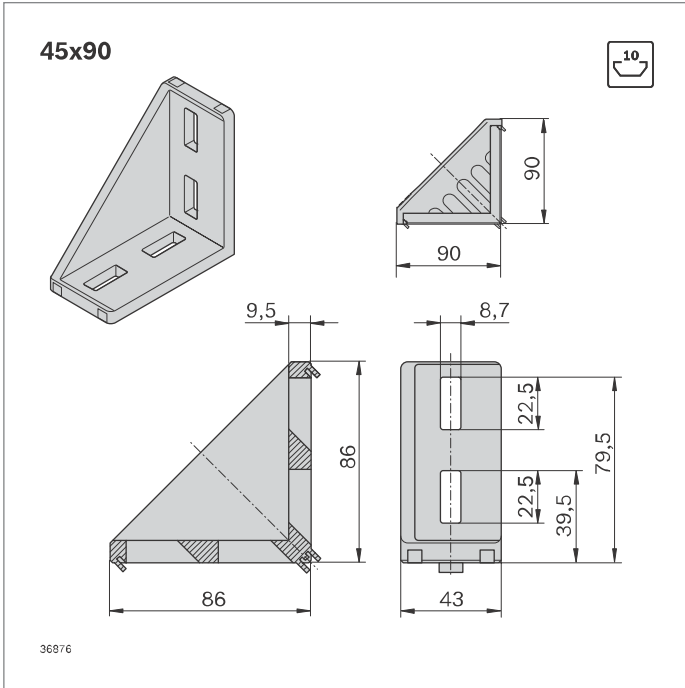


Type	F_{max}	M_{max}	M_{max}	M_{max}
45x45	3000 N	60 Nm	160 Nm	—

45x45	Slot	ESD	No.	FS
Set (standard)	10 / 10		1 3 842 523 561	2xFS7
<i>designLINE</i> set	10 / 10		1 3 842 551 606	2xFS7
Bracket (standard)	10		100 3 842 523 558	
Cover cap, signal gray			100 3 842 548 862	
Cover cap, black			20 3 842 548 863	
Sliding block, offset (A)	10		100 3 842 523 593	

Material: Bracket: Diecast aluminum, vibratory ground
designLINE bracket: painted (RAL 9006)
 Sliding block, offset: PA; black
 Cover cap: PP
 Fastening material: Steel; galvanized
 Scope of delivery: Set incl. fastening material (FS)

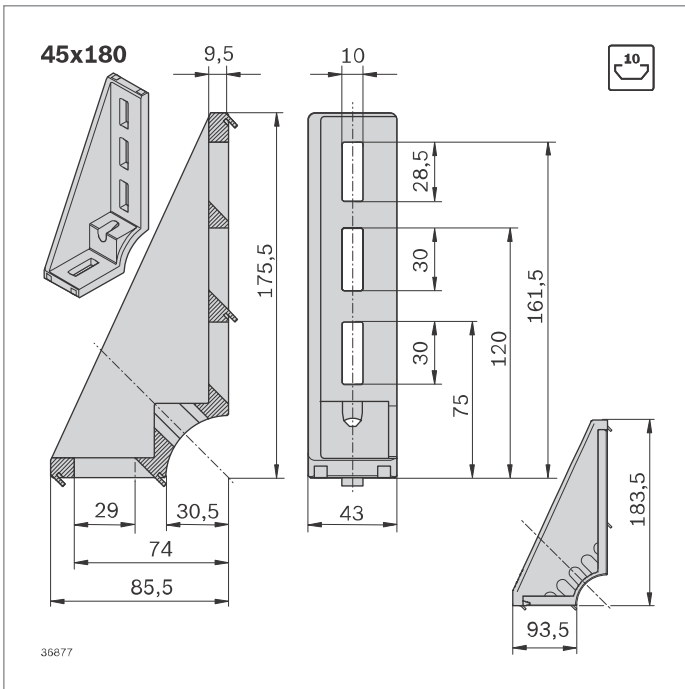
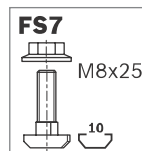




45x90	Slot	ESD	10	No.	FS
Set (standard)	10 / 10	⚡	1	3 842 523 570	4xFS7
<i>designLINE</i> set	10 / 10	⚡	1	3 842 551 607	4xFS7
Bracket (standard)	10	⚡	100	3 842 523 567	
Cover cap, signal gray			20	3 842 548 864	
Cover cap, black		⚡	20	3 842 548 865	

Material: Bracket: Diecast aluminum, vibratory ground
designLINE bracket: painted (RAL 9006)
 Cover cap: PP
 Fastening material: Steel; galvanized
 Scope of delivery: Set incl. fastening material (FS)

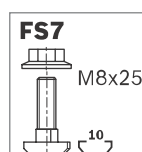
Type	F_{max}	M_{max}	M_{max}	M_{max}
45x90	6000 N	180 Nm	400 Nm	60 Nm

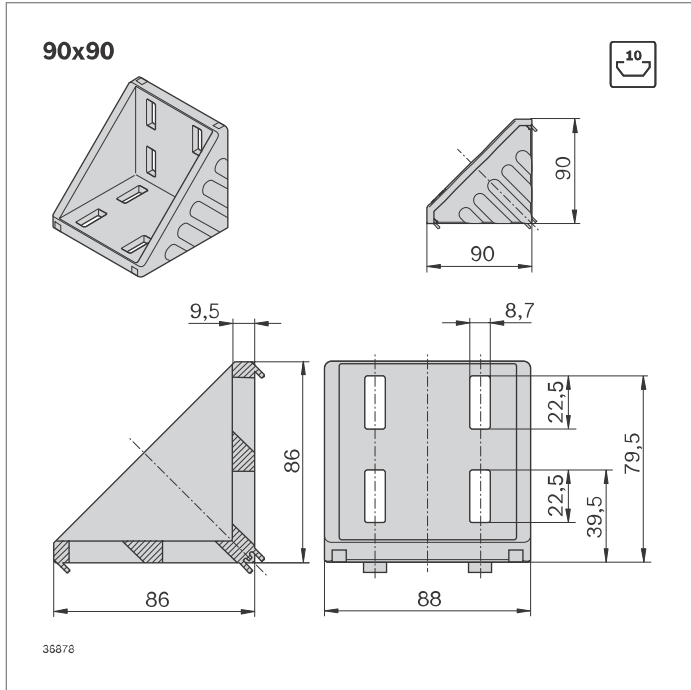


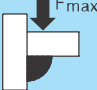
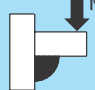
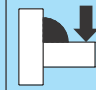

45x180	Slot	ESD	10	No.	FS
<i>designLINE</i> set	10 / 10	⚡	1	3 842 551 608	2xFS7
Bracket (standard)	10	⚡	20	3 842 523 583	
Cover cap, signal gray			20	3 842 548 866	
Cover cap, black		⚡	20	3 842 548 867	






Material: Bracket: Diecast aluminum, vibratory ground
designLINE bracket: painted (RAL 9006)
 Cover cap: PP
 Fastening material: Steel; galvanized
 Scope of delivery: Set incl. fastening material (FS)

Type	F_{max}	M_{max}	M_{max}
45x180	9000 N	250 Nm	65 Nm

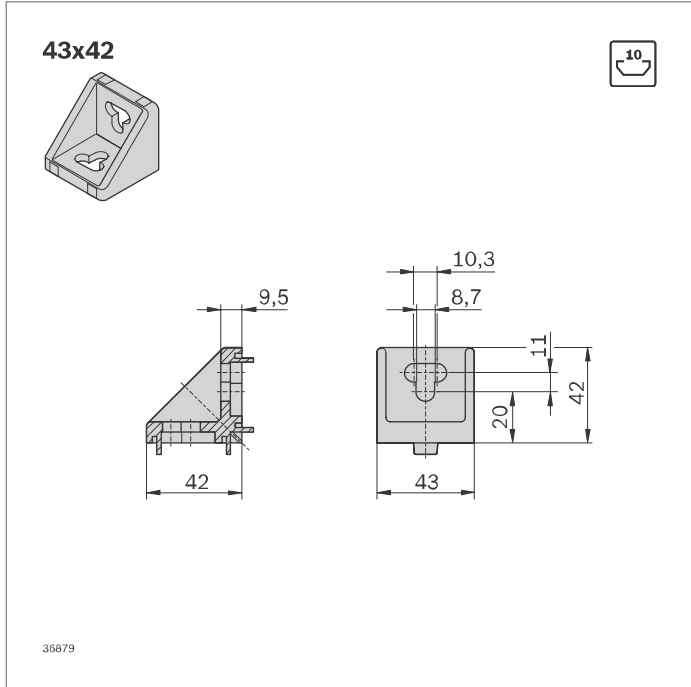
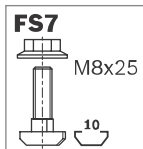


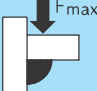
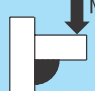
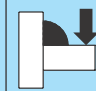






Type				
90x90	12000 N	370 Nm	800 Nm	200 Nm

90x90	Slot	ESD		No.	FS
Set (standard)	10 / 10		1	3 842 523 578	8xFS7
<i>designLINE</i> set	10 / 10		1	3 842 551 613	8xFS7
Bracket (standard)	10		20	3 842 523 575	
Cover cap, signal gray			20	3 842 548 868	
Cover cap, black			20	3 842 548 869	

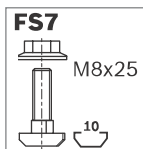
Material: Bracket: Diecast aluminum, vibratory ground
designLINE bracket: painted (RAL 9006)
 Cover cap: PP
 Fastening material: Steel; galvanized
 Scope of delivery: Set incl. fastening material (FS)

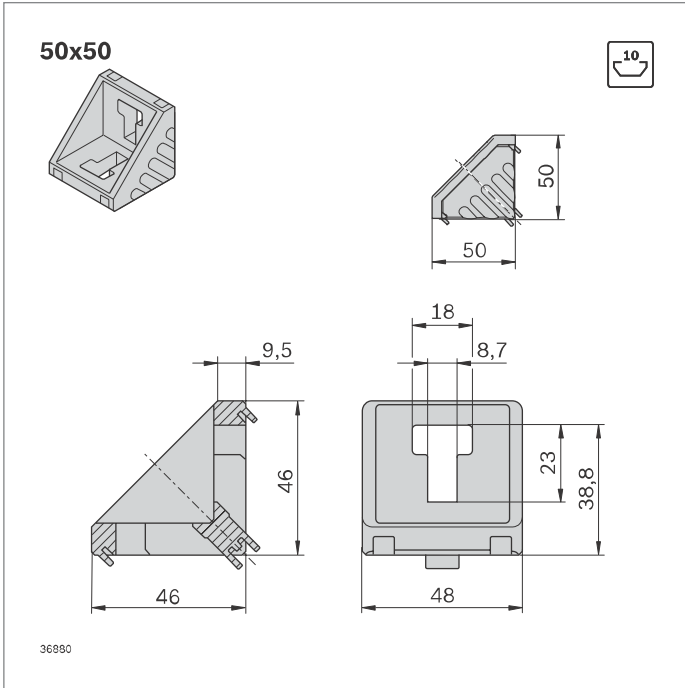


Type				
43x42	2000 N	-	160 Nm	-

43x42	Slot	ESD		No.	FS
Set (standard)	10 / 10		1	3 842 352 009	2xFS7
Bracket (standard)	10		100	3 842 348 526	

Material: Bracket: Diecast aluminum
 Fastening material: Steel; galvanized
 Scope of delivery: Set incl. fastening material (FS)

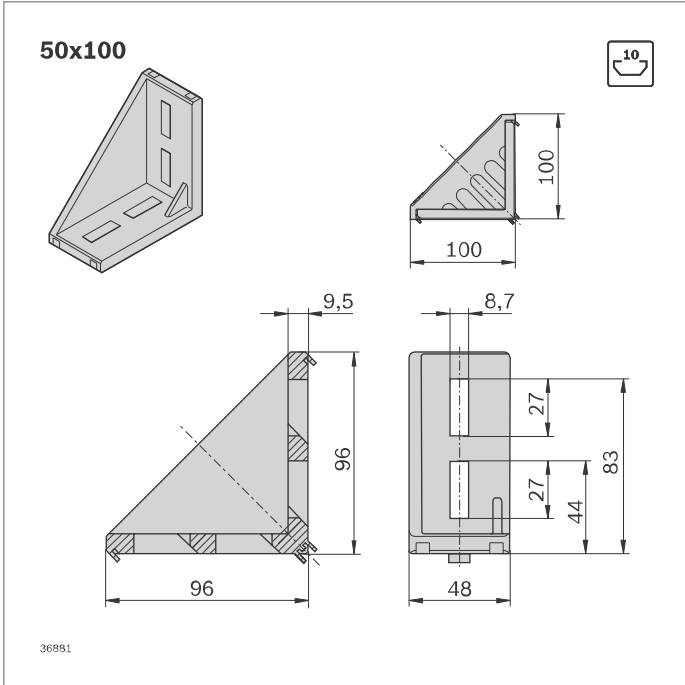
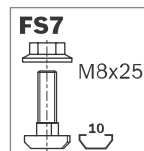




50x50	Slot	ESD	No.	FS
Set (standard)	10 / 10		1	3 842 530 259 2xFS7
Bracket (standard)	10		20	3 842 530 381
Cover cap, signal gray			20	3 842 548 870
Cover cap, black			20	3 842 548 871

Material: Bracket: Diecast aluminum, vibratory ground
 Cover cap: PP
 Fastening material: Steel; galvanized
 Scope of delivery: Set incl. fastening material (FS)

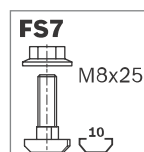
Type				
50x50	4000 N	125 Nm	250 Nm	38 Nm

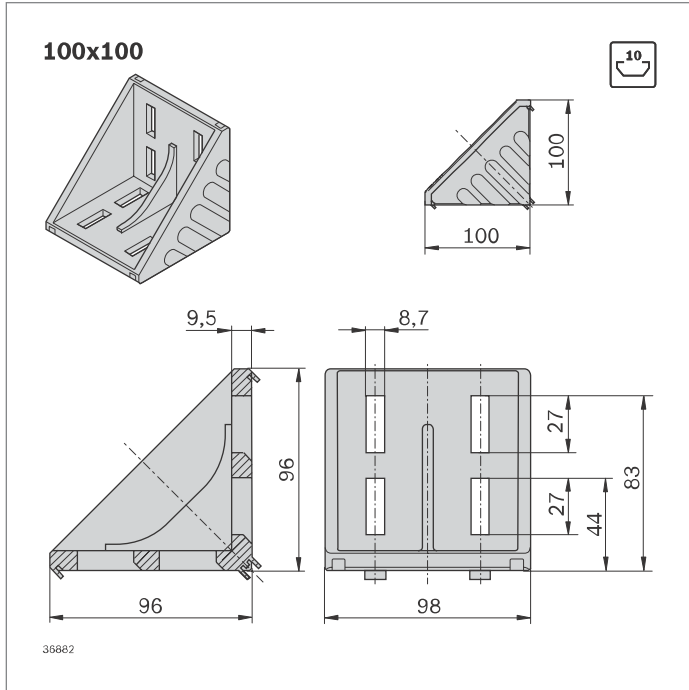


50x100	Slot	ESD	No.	FS
Set (standard)	10 / 10		1	3 842 530 260 4xFS7
Bracket (standard)	10		20	3 842 530 382
Cover cap, signal gray			20	3 842 548 872
Cover cap, black			20	3 842 548 873

Material: Bracket: Diecast aluminum, vibratory ground
 Cover cap: PP
 Fastening material: Steel; galvanized
 Scope of delivery: Set incl. fastening material (FS)

Type				
50x100	7500 N	300 Nm	600 Nm	73 Nm

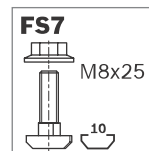


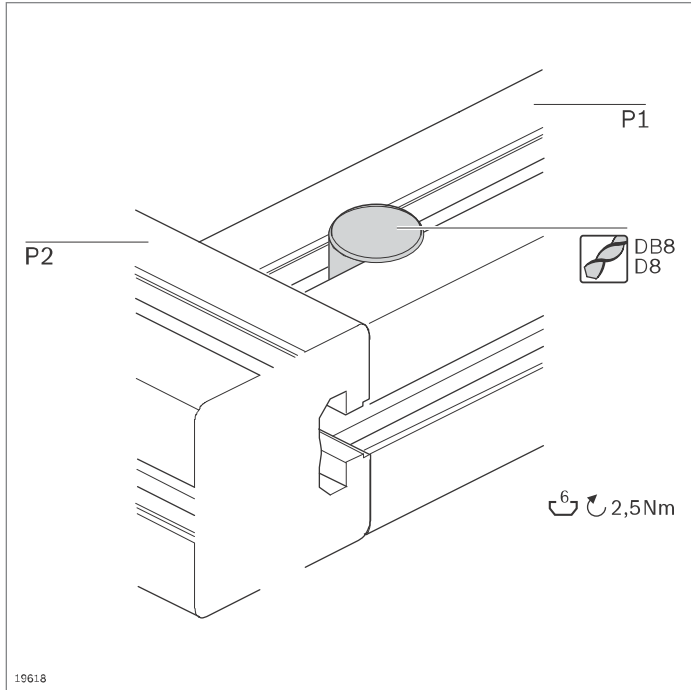


100x100	Slot	ESD	No.	FS
Set (standard)	10 / 10		1 3 842 530 361	8xFS7
Bracket (standard)	10		20 3 842 530 460	
Cover cap, signal gray			20 3 842 548 874	
Cover cap, black			20 3 842 548 875	

Material: Bracket: Diecast aluminum, vibratory ground
 Cover cap: PP
 Fastening material: Steel; galvanized
 Scope of delivery: Set incl. fastening material (FS)

Type				
100x100	15000 N	550 Nm	1100 Nm	480 Nm



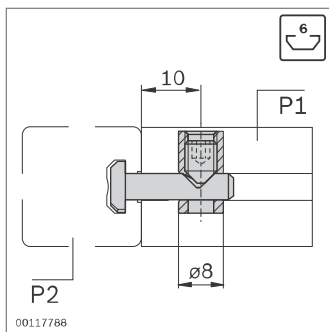
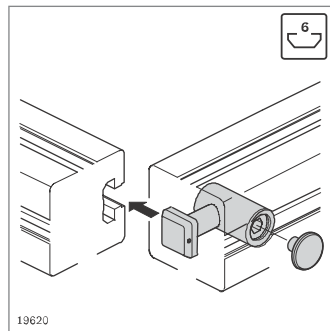
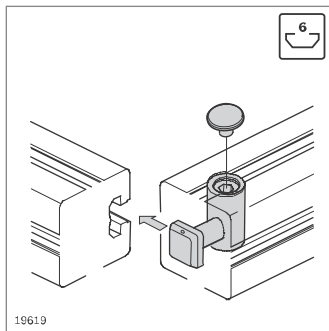


Quick connector, 6 mm slot, 0°, 90° Cover cap



- ▶ For the right-angled connecting of two profiles
- ▶ Excellent accessibility for tools during mounting
- ▶ Quick connector for 6 mm slot with square head; can be used as a 0° or 90° connector
- ▶ Profile finishing:
Blind hole DB8 or through-hole D8

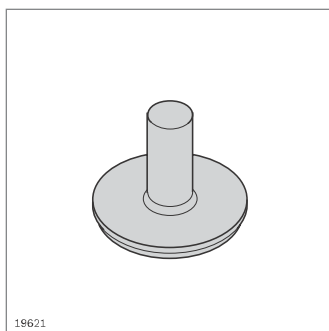
Optional accessories:
Drilling jig (p. 14-2)



Slot	F_{max}	M_{max}
6 / 6	450 N	18 Nm

Quick connector 0° / 90°	P1 / P2	D ESD (mm)	No.
	6 / 6	8	3 842 537 013

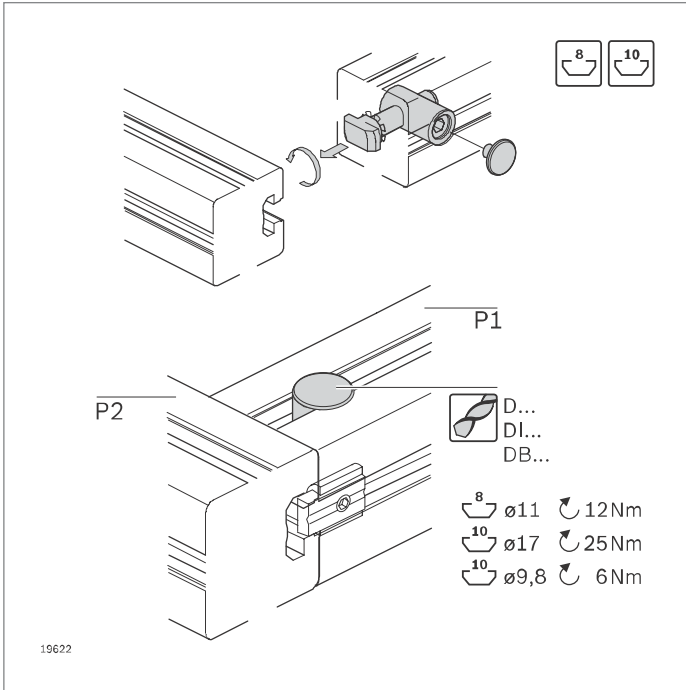
Material: Steel; stainless



- ▶ Cover cap for connector sleeves

Cover cap	D (mm)	No.
	8	3 842 551 038

Material: PE; signal gray RAL 7004



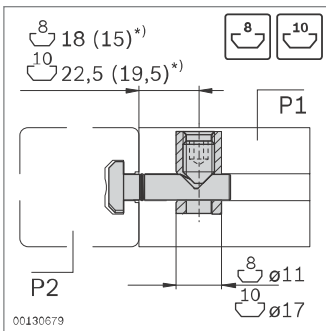
Quick connector, 8/10 mm slot, 0°



- ▶ For the right-angled connecting of two profiles
- ▶ Excellent accessibility for tools during mounting
- ▶ O-ring for fixing allows overhead assembly
- ▶ Quick connectors can be pivoted into the profile slot at the mounting location
- ▶ Profile finishing:
Blind hole DI, DB11, DB17 or
Through-hole DI, D11, D17
- ▶ Note differing drilling intervals and load-bearing capacities when using with radial compensation ("Technical data" p. 18-16)

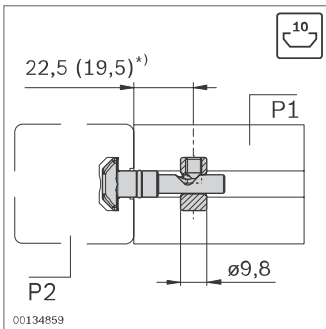
Optional accessories:

- ▶ Anti-torsion element (p. 3-42)
- ▶ Radial compensation (p. 2-85)
- ▶ Drilling jig (p. 14-2)
- ▶ Cover cap (p. 3-54)



Slot	F_{max}	M_{max}
8 / 8	500 N	40 Nm
8 / 10	2000 N	70 Nm
10 / 10	4000 N	140 Nm

*) With the use of a radial compensation



Slot	F_{max}	M_{max}
10 / 10	800 N	50 Nm

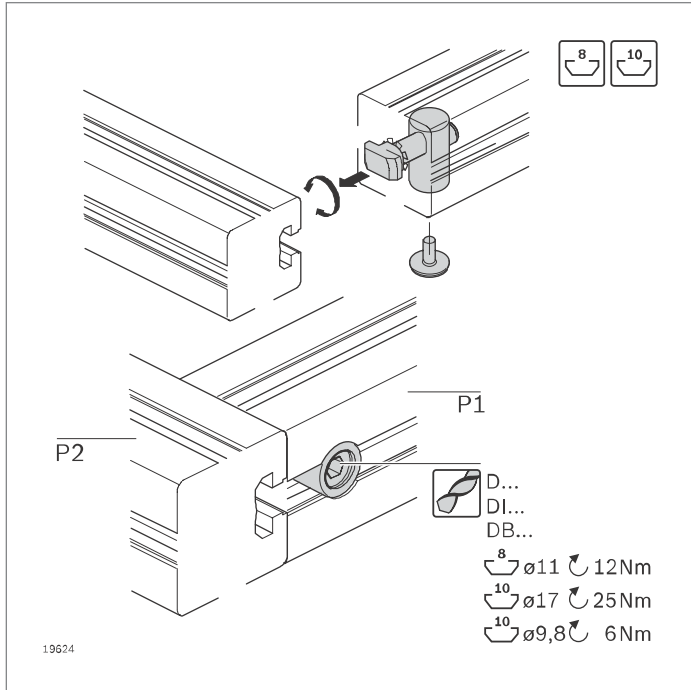
*) With the use of a radial compensation

Quick connector 0°	P1 / P2	D ESD	No.
		(mm)	
Steel; galvanized	8 / 8	11	3 842 535 459
	8 / 10	11	3 842 535 464
	10 / 10	17	3 842 535 458
Steel; stainless	8 / 8	11	3 842 548 934
	8 / 10	11	3 842 548 935
	10 / 10	17	3 842 548 936

- ▶ Quick connector 9.8 with smaller connector sleeve
- ▶ The hole for the connector sleeve does not make contact with the slot flanks. This permits a visually attractive connection; the slot can be completely closed with the cover profile

Quick connector 0°, connector sleeve D = 9.8	P1 / P2	D ESD	No.
		(mm)	
Steel; galvanized	10 / 10	9.8 ¹⁾	3 842 541 412

¹⁾ No standard hole in modular dimensions 40, 50 and 60
Target distance from profile end: 22.5 mm



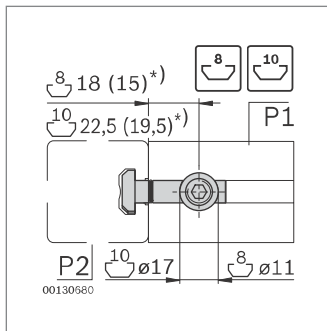
Quick connector, 8/10 mm slot, 90° Cover cap



- ▶ Tie rod head rotated at a 90° angle to the connector sleeve
- ▶ Profile finishing:
Blind hole DI, DB11, DB17 or
Through-hole DI, D11, D17

Optional accessories:

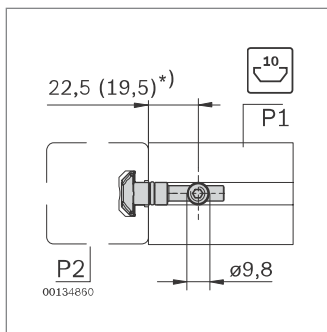
- ▶ Anti-torsion element (p. 3-42)
- ▶ Radial compensation (p. 2-85)
- ▶ Drilling jig (p. 14-2)
- ▶ Cover cap



Slot	F_{max}	M_{max}
8 / 8	500 N	40 Nm
10 / 10	4000 N	140 Nm

*) With the use of a radial compensation

Quick connector 90°	P1 / P2	D	ESD	No.
		(mm)		
Steel; galvanized	8 / 8	11	⚡	3 842 535 465
	10 / 10	17	⚡	3 842 535 466
Steel; stainless	8 / 8	11	⚡	3 842 548 937
	10 / 10	17	⚡	3 842 548 938

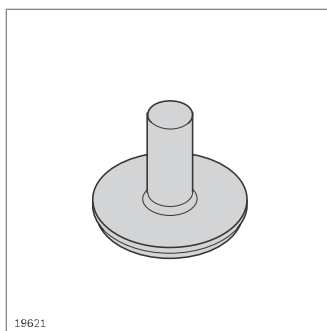


Slot	F_{max}	M_{max}
10 / 10	800 N	50 Nm

*) With the use of a radial compensation

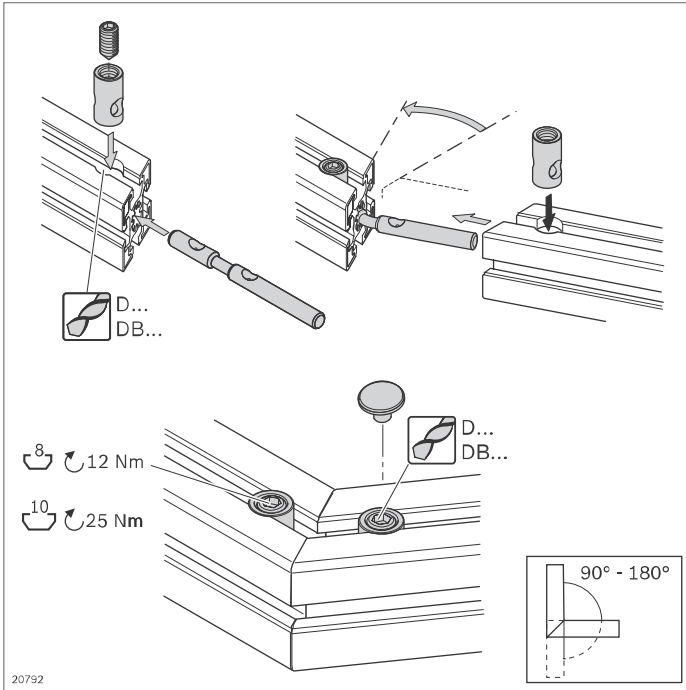
Quick connector 90°, connector sleeve D = 9.8	P1 / P2	D	ESD	No.
		(mm)		
Steel; galvanized	10 / 10	9.8 ¹⁾	⚡	3 842 541 410

¹⁾ No standard hole in modular dimensions 40, 50 and 60
Target distance from profile end: 22.5 mm



Cover cap	D	No.
	(mm)	
	11	100 3 842 551 040
	17	100 3 842 551 042

Material: PE; signal gray RAL 7004



Quick connector, bendable – end-to-end

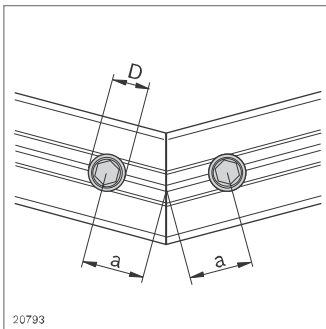


- ▶ For end-to-end connecting of two profiles with equal cross-sections and at any angle, e.g. for frames
- ▶ Profile finishing:
 - Blind hole DB11, DB17 or through-hole D11, D17
 - Miter cut

Technical data (p. 18-16)

Accessories:

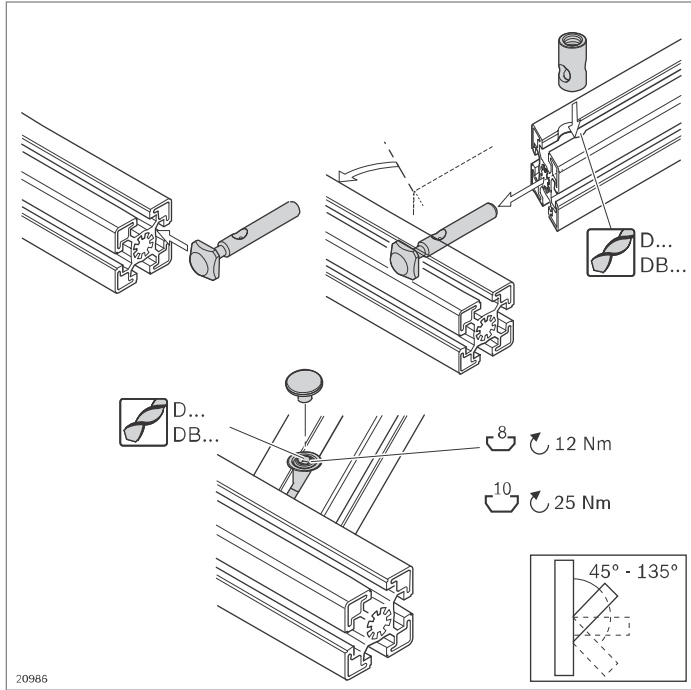
- ▶ Drilling jig (p. 14-2)
- ▶ Cover cap (p. 3-54)



Profile	M_{max}
30x30	24 Nm
40x40L	100 Nm
45x45L	110 Nm
45x45	145 Nm
50x50L	160 Nm

Quick connector, bendable	P1 / P2	a (mm)	D (mm)	ESD	No.
End-to-end	8 / 8	18	11	⚡	10 3 842 535 630
	10 / 10	22.5	17	⚡	10 3 842 535 634

Material: Tie rod: Steel; stainless
Socket: Steel; galvanized



Quick connector, bendable – end-to-slot

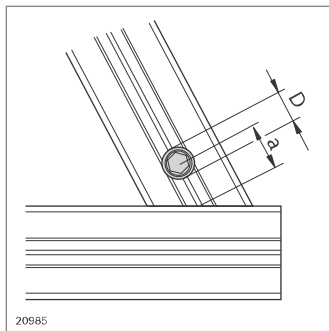


- ▶ For end-to-slot connecting of two profiles at any angle, e.g. for framework constructions
- ▶ Profile finishing:
 - Blind hole DB11, DB17 or through-hole D11, D17
 - Miter cut

Technical data (p. 18-16)

Accessories:

- ▶ Drilling jig (p. 14-2)
- ▶ Cover cap (p. 3-54)



Quick connector, bendable	P1 / P2	a (mm)	D (mm)	ESD	No.
End-to-slot	8 / 8	18	11		10 3 842 535 629
	10 / 10	22.5	17		10 3 842 535 635

Material: Tie rod: Steel; stainless
Socket: Steel; galvanized

Profile				
30x30	1100 N	35 Nm	650 N	40 Nm
40x40L	1500 N	110 Nm	1000 N	80 Nm
45x45L	1500 N	120 Nm	1000 N	95 Nm
45x45	1500 N	140 Nm	1100 N	180 Nm
50x50L	1500 N	150 Nm	1100 N	180 Nm